

HA105N Electronic Siren, Buzzer, Hooter & Bell

Applications and users that have traditionally demanded conventional electromechanical hooters, sirens, buzzers and bells can now choose the next generation alternative.

The technology employed in the Hootronic range features the latest in amplifier and digital to analogue conversion technology. The E2S Hootronic series of products faithfully reproduce the sounds made by legacy electro-mechanical signalling devices but in a modern, reliable and cost effective way.

With output levels of up to 112dB(A) at 1 metre the HA105N surpasses legacy electro-mechanical devices in performance and effectiveness, it is also continuously rated, requires zero maintenance and the signal quality will not degrade with age.

Features:

The products in the Hootronic range have 5 user selectable 'traditional' sounds including:

- Tone 1 : Industrial Hooter
- Tone 2 : High Frequency Mechanical Siren
- Tone 3 : Medium Frequency Mechanical Siren
- Tone 4 : Electro Mechanical Buzzer
- Tone 5 : Mechanical Bell

Each of these sounds have two additional, remotely selectable, alarm stages.

Remote switch generates genuine 'tail off' to sound when alarm is terminated.

- Automatic synchronisation on multi-sounder system.
- Continuously rated.
- Stainless steel fixings.
- Unit can be mounted using external lugs or internal BESA compatible fixing positions.
- Duplicate cable terminations (in & out for daisy-chain installations).
- Tropicalisation available on request.
- GOST-R certificate: POCC GB.JB05.B02205

Part codes:

Version	Part code:
24V dc	HA105NDC24[x]
115V ac	HA105NAC115[x]
230V ac	HA105NAC230[x]
[x] = Housing colour:	G: Grey, R: Red

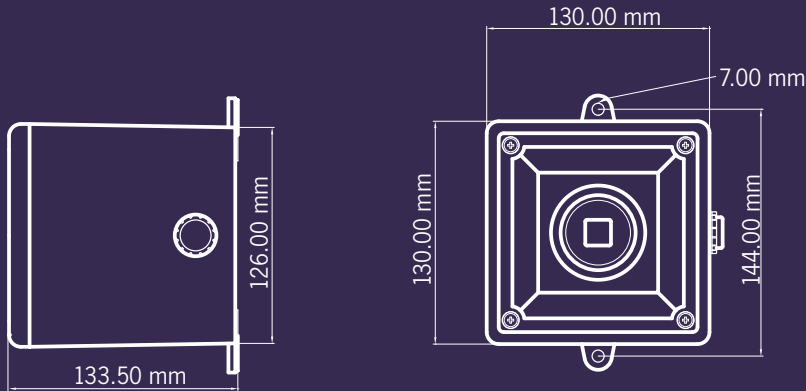


GOST-R



HAB105RTH - Hootronic HA105N combined with 25W halogen rotating beacon.



**Specification:**

Nominal output:	112dB(A) @ 1m +/- 3dB - Tone 2
No. of tones:	5
No. of stages:	3
Volume control:	Max. 112dB(A); Min. 103dB(A) approx.
Effective range:	60m @ 1KHz
Voltages DC:	24V dc (10-30V dc);
Voltages AC:	115V ac; 230V ac
Ingress protection:	IP66
Housing material:	High impact UL94 V0 & 5VA FR ABS
Colour:	Red (RAL3000) & grey (RAL7038)
Cable entries:	2 x M20 clearance gland knockouts in side & back
Terminals:	0.5 to 4.0mm ² cables.
Operating temperature:	-25 to +55°C
Storage temperature:	-40 to +70°C
Relative humidity:	90% at 20°C.
Weight :	DC: 0.75kg AC:1.00kg

*SPL data +/-3dB(A). Measured at optimum voltage

Alarm sounder:

Version:	Voltage range:	Current mA:
24V dc	10-30V dc	185mA*
115V ac 50/60Hz	+/-10%	50mA
230V ac 50/60Hz	+/-10%	25mA

* current at nominal voltage

Stage 1	Frequency Description	dB @ 1m	Stage 2	Stage 3
Tone 1	Industrial Hooter	103dB(A) @ 1m	Tone 3	Tone 5
Tone 2	High Frequency Mechanical Siren	112dB(A) @ 1m	Tone 1	Tone 5
Tone 3	Medium Frequency Mechanical Siren	107dB(A) @ 1m	Tone 1	Tone 5
Tone 4	Electro Mechanical Buzzer	108dB(A) @ 1m	Tone 2	Tone 5
Tone 5	Mechanical Bell	98dB(A) @ 1m	Tone 1	Tone 2