

AL105N Alarm Sounder & Beacon

The AL105N is a high output, 112dB(A) alarm sounder combined with a 5 Joule Xenon beacon. The robust, fire retardant IP66 housing ensures the AL105N is suitable for all general signalling applications including fire, security and process control.

Features:

- Automatic synchronisation on multi-sounder system.
- Continuously rated.
- Stainless steel fixings.
- Unit can be mounted using external lugs or internal BESA compatible fixing positions.
- Duplicate cable terminations (in & out for daisy-chain installations).
- Tropicalisation available on request.
- Available with custom tone configurations and frequencies.
- 'Programmable' version available:
 - 45 alarm tones
 - 4 remotely selectable stages
 - Any tone can be assigned to any stage
 - User configurable continuous frequency tone

Approvals:

- Alarm sounder (A105N) VdS approved to EN54-3 (CPD 89/106/EEC).
- UKOOA/PFEER compliant alarm tones.
- UL approved version available.
- GOST-R approved. Cert: POCC GB-JB05-B02228

Part codes:

| Version: | Part code: |
|-----------------------|--|
| 24V dc | AL105NDC24[x]/[y] |
| 48V dc | AL105NDC48[x]/[y] |
| 24V ac | AL105NAC24[x]/[y] |
| 115V ac | AL105NAC115[x]/[y] |
| 230V ac | AL105NAC230[x]/[y] |
| [x] = Housing colour: | G: Grey, R: Red, W: White |
| [y] = Lens colour: | A: Amber, B: Blue, C: Clear, G: Green, O: Opal, R: Red, Y: Yellow |

Suffix part number with 'P' for programmable, 4 stage, 45 tone version.

Suffix part number with 'UL' for UL approved version.



GOST-R

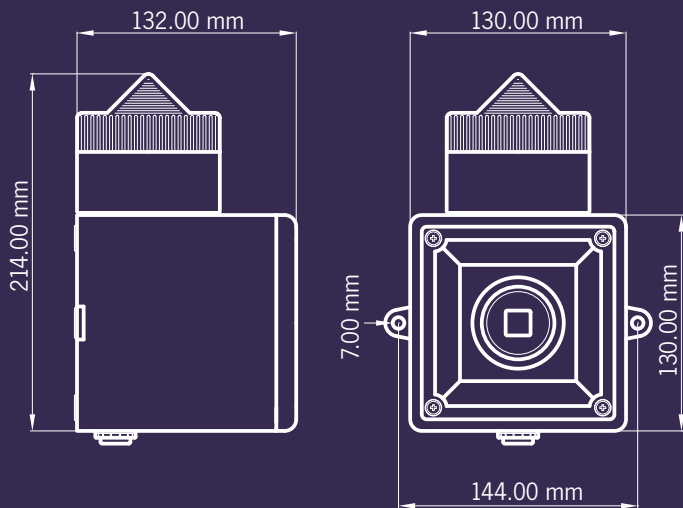


0786-CPD-20257



G205121



**Alarm sander:**

| Version: | Voltage range: | Current mA: |
|-----------------|----------------|-------------|
| 24V dc | 10-30V dc | 25mA* |
| 48V dc | 35-60V dc | 50mA* |
| 24V ac 50/60Hz | +/-10% | 40mA |
| 115V ac 50/60Hz | +/-10% | 20mA |
| 230V ac 50/60Hz | +/-10% | 15mA |

* current at nominal voltage on Tone 2

Xenon beacon:

| Version: | Voltage range: | Current mA: |
|-----------------|----------------|-------------|
| 12V dc | 10-14V dc | 500mA |
| 24V dc | 20-28V dc | 250mA |
| 48V dc | 42-54V dc | 175mA |
| 24V ac 50/60Hz | +/-10% | 300mA |
| 115V ac 50/60Hz | +/-10% | 70mA |
| 230V ac 50/60Hz | +/-10% | 35mA |

Specification:

| Sounder: | |
|------------------|---|
| Maximum output: | 112dB(A) @ 1 metre |
| Nominal output: | 105dB(A) @ 1m +/- 3dB - Tone 2 |
| No. of tones: | 32 (UK00A / PFEER compliant) |
| No. of stages: | 3 |
| Volume control: | Max. 105dB(A); Min. 96dB(A) - Tone 2 |
| Effective range: | 60m @ 1KHz |
| Stage switching: | Negative Reverse polarity stage switching on DC units. |

Beacon:

| | |
|-------------------------|---|
| Energy: | 5 Joules (5Ws) |
| Flash rate: | 1Hz (60 fpm) |
| Peak Candela: | 86,953 cd |
| Effective Intensity cd: | 200 cd* |
| Lens colours: | Amber, Blue, Clear, Green, Opal, Red & Yellow |
| Tube life: | Emissions are reduced to 70% after 8 million flashes |

General:

| | |
|------------------------|--|
| Voltages DC: | 24V dc (10-30V dc); 48V dc (35-60V dc) [DC units can use 24V ac for single stage applications.] |
| Voltages AC: | 24V ac; 115V ac; 230V ac |
| Ingress protection: | IP66 |
| Housing material: | High impact UL94 V0 & 5VA FR ABS |
| Colour: | Red (RAL3000), grey (RAL7038) & white. |
| Cable entries: | 2 x M20 clearance gland entries in side & back |
| Terminals: | 0.5 to 1.5mm ² cables. |
| Operating temperature: | -40 to +55°C |
| Storage temperature: | -40 to +70°C |
| Relative humidity: | 90% at 20°C. |
| Weight : | DC: 0.95kg AC:1.20kg |

*Candela measurements representative of performance with clear lens at optimum voltage.

*SPL data +/-3dB(A). Measured at optimum voltage.

Tone table:

| Stage 1 | Frequency Description | dB @ 1m | Stage 2 | Stage 3 |
|---------|--|---------------|---------|---------|
| Tone 1 | 340 Hz Continuous | 102dB(A) @ 1m | Tone 2 | Tone 5 |
| Tone 2 | 800/1000Hz @ 0.25 sec Alternating - BS5839 Alarm tone | 106dB(A) @ 1m | Tone 17 | Tone 5 |
| Tone 3 | 500/1200Hz @ 0.3Hz 0.5 sec Slow Whoop - NEN 2575:2000 | 106dB(A) @ 1m | Tone 2 | Tone 5 |
| Tone 4 | 800/1000Hz @ 1Hz Sweeping | 106dB(A) @ 1m | Tone 6 | Tone 5 |
| Tone 5 | 2400Hz Continuous | 112dB(A) @ 1m | Tone 3 | Tone 20 |
| Tone 6 | 2400/2900Hz @ 7Hz Sweeping | 108dB(A) @ 1m | Tone 7 | Tone 5 |
| Tone 7 | 2400/2900Hz @ 1Hz Sweeping | 108dB(A) @ 1m | Tone 10 | Tone 5 |
| Tone 8 | 500/1200/500Hz @ 0.3Hz Sweeping | 106dB(A) @ 1m | Tone 2 | Tone 5 |
| Tone 9 | 1200/500Hz @ 1Hz - DIN / PFEER P.T.A.P. | 106dB(A) @ 1m | Tone 15 | Tone 2 |
| Tone 10 | 2400/2900Hz @ 2Hz Alternating | 110dB(A) @ 1m | Tone 7 | Tone 5 |
| Tone 11 | 1000Hz @ 1Hz Intermittent | 106dB(A) @ 1m | Tone 2 | Tone 5 |
| Tone 12 | 800/1000Hz @ 0.875Hz Alternating | 106dB(A) @ 1m | Tone 4 | Tone 5 |
| Tone 13 | 2400Hz @ 1Hz Intermittent | 112dB(A) @ 1m | Tone 15 | Tone 5 |
| Tone 14 | 800Hz 0.25sec on, 1 sec off Intermittent | 108dB(A) @ 1m | Tone 4 | Tone 5 |
| Tone 15 | 800Hz Continuous | 108dB(A) @ 1m | Tone 2 | Tone 5 |
| Tone 16 | 660Hz 150mS on, 150mS off Intermittent | 104dB(A) @ 1m | Tone 18 | Tone 5 |
| Tone 17 | 544Hz (100mS)/440Hz (400mS) - AFNOR NF S 32-001 | 104dB(A) @ 1m | Tone 2 | Tone 27 |
| Tone 18 | 660Hz 1.8sec on, 1.8sec off Intermittent | 104dB(A) @ 1m | Tone 2 | Tone 5 |
| Tone 19 | 1.4KHz-1.6KHz 1s, 1.6KHz-1.4KHz 0.5s - AFNOR NFC48-265 | 106dB(A) @ 1m | Tone 2 | Tone 5 |
| Tone 20 | 660Hz Continuous | 104dB(A) @ 1m | Tone 2 | Tone 5 |
| Tone 21 | 554Hz/440Hz @ 1Hz Alternating | 104dB(A) @ 1m | Tone 2 | Tone 5 |
| Tone 22 | 544Hz @ 0.875 sec. Intermittent | 104dB(A) @ 1m | Tone 2 | Tone 5 |
| Tone 23 | 800Hz @ 2Hz Intermittent | 108dB(A) @ 1m | Tone 6 | Tone 5 |
| Tone 24 | 800/1000Hz @ 50Hz Sweeping | 108dB(A) @ 1m | Tone 29 | Tone 5 |
| Tone 25 | 2400/2900Hz @ 50Hz Sweeping | 108dB(A) @ 1m | Tone 29 | Tone 5 |
| Tone 26 | Bell | 100dB(A) @ 1m | Tone 2 | Tone 15 |
| Tone 27 | 554Hz Continuous | 104dB(A) @ 1m | Tone 26 | Tone 5 |
| Tone 28 | 440Hz Continuous | 103dB(A) @ 1m | Tone 2 | Tone 5 |
| Tone 29 | 800/1000Hz @ 7Hz Sweeping | 105dB(A) @ 1m | Tone 7 | Tone 5 |
| Tone 30 | 300Hz Continuous | 100dB(A) @ 1m | Tone 2 | Tone 5 |
| Tone 31 | 660/1200Hz @ 1Hz Sweeping | 105dB(A) @ 1m | Tone 26 | Tone 5 |
| Tone 32 | Two tone chime. | 103dB(A) @ 1m | Tone 26 | Tone 15 |

Country specific or custom tone configurations and alarm frequencies are available upon request.



Available as the A105N alarm horn sounder only - see the AlertAlarm range for further details.



Available as the AB105 unit with Xenon, multi-function LED or rotating halogen beacon - see the SpectrAlarm range for further details.