

H110T Signalling Horn with Trumpet

The H110T is a very high output electronic signal horn capable of generating a traditional 'buzzer' warning tone traditionally associated with electro-mechanical signals.

With an output of 110dB(A) the H110T is ideal for all general signalling applications and the ingress protection rating of IP65 means it is suitable for indoor and outdoor installations.

In addition to the 'buzzer' type sound the unit features a further two alarm tones. The first stage sounds also have a remotely selectable second stage.

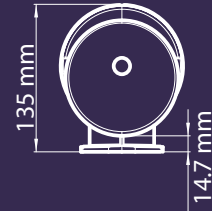
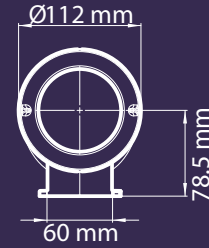
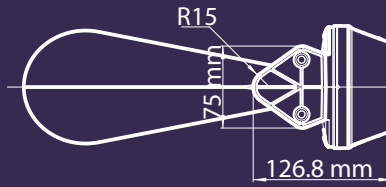
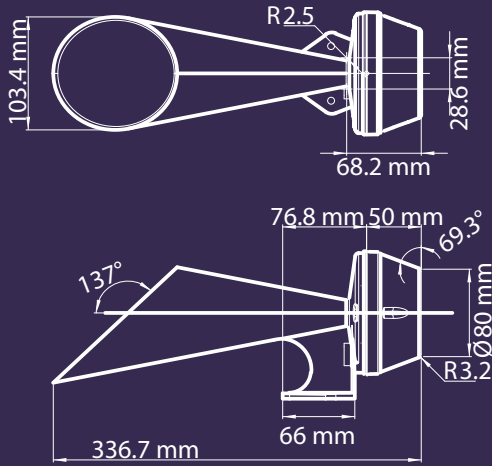
Features:

- Volume control
- Stainless steel fixings.

Part codes:

Version:	Part code:
10-30V ac/dc	H110T030G
40-260V ac/dc	H110T230G





Specification:

No. of tones:	3
Output:	110 dB(A) @ 1m
Stages:	Remotely selectable second stage
Mounting:	Surface mount
Entries:	1 x 5-7mm push through grommet
Dimensions:	336.7 x 135 mm
Ingress protection:	IP65
Housing material:	High impact ABS (UL94V0 & 5VA)
Terminals:	0.5 to 1.5mm ²
Operating temperature:	-25 to +50°C
Storage temperature:	-40 to +70°C
Relative humidity:	90% at 20°C.
Weight:	341g

*SPL data +/-3dB(A). Measured at optimum voltage.

Current consumption:

Version:	Voltage:	Current mA:
10-30V dc/ac	12V dc	52mA
10-30V dc/ac	24V dc	105mA
40-260V dc/ac	48V dc	42mA
10-30V dc/ac	12V ac 50/60Hz	115mA
10-30V dc/ac	24V ac 50Hz	215mA
40-260V dc/ac	48V ac 50/60Hz	68mA
40-260V dc/ac	115V dc	16mA
40-260V dc/ac	230V dc	8mA
40-260V dc/ac	115V ac 50/60Hz	36mA
40-260V dc/ac	230V ac 50/60Hz	18mA

Tone table:

Tone:	Description:	SPL (dB(A) @ 1m):	Second stage tone:
1	Buzzer Sound	110.0 dB(A)	Tone 2
2	1200/500Hz @ 1Hz - DIN	109.0 dB(A)	Tone 1
3	800/1000Hz & 7Hz	108.5 dB(A)	Tone 2