

D105 Alarm Sounder

The D105 is a high output, 112dB(A) alarm sounder. Low current consumption and high SPL in a robust IP66 housing ensure the D105 is suitable for all general signalling applications including fire, security and process control. The corrosion proof, marine grade aluminium die cast enclosure is phosphated and powder coated providing resilience in the harshest of industrial environments.

Features:

- High output, up to 112dB(A) SPL
- 3 remotely selectable alarm stages
- Choice of 32 alarm tone frequencies
- Automatic synchronisation on multi-sounder system.
- Continuously rated.
- Stainless steel fixings.
- Duplicate cable terminations (in & out for daisy-chain installations).
- Tropicalisation available on request.
- Available with custom tone configurations and frequencies.
- 'Programmable' version available:
 - 45 alarm tones
 - 4 remotely selectable stages
 - Any tone can be assigned to any stage
 - User configurable continuous frequency tone

Approvals:

- UKOOA/PFEER compliant alarm tones.
- UL approved version available.



Combination version available:
DL105 with either Xenon or LED

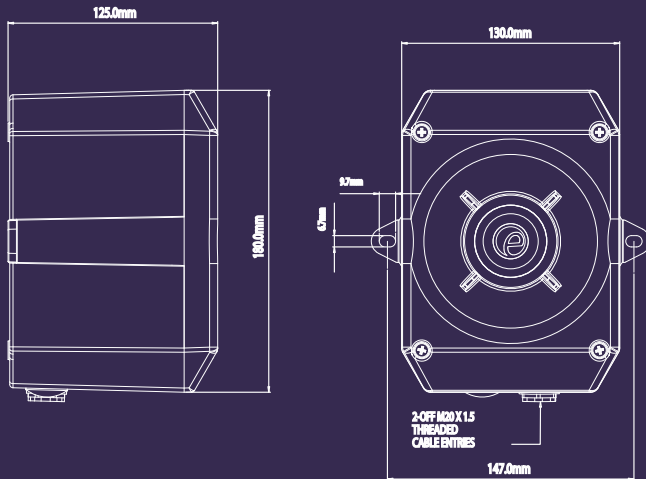
Part codes:

Version:	Part code:
24V dc	D105DC024[x]
48V dc	D105DC048[x]
24V ac	D105AC024[x]
115V ac	D105AC115[x]
230V ac	D105AC230[x]
[x] = Housing colour:	G: Grey R: Red

Suffix part number with 'P' for programmable, 4 stage, 45 tone version.

Suffix part number with 'UL' for UL approved version.





Specification:

Maximum output:	112dB(A) @ 1 metre
Nominal output:	105dB(A) @ 1m +/- 3dB - Tone 2
No. of tones:	32 (UKOOA / PFEER compliant)
No. of stages:	3
Volume control:	Max. 105dB(A); Min. 96dB(A) - Tone 2
Effective range:	60m @ 1KHz
Voltages DC:	24V dc (10-30V dc); 48V dc (35-60V dc); [24V dc units can use 24V ac for single stage apps.]
Voltages AC:	24V ac; 115V ac; 230V ac
Stage switching:	Negative Positive switching option available Reverse polarity stage switching on DC units.
Ingress protection:	IP66, Type 4 / 4X / 3R
Housing material:	Marine grade aluminium A1 Si12 Cu
Colour:	Red (RAL3000), grey (RAL7038)
Cable entries:	2 x M20 x 1.5mm threaded gland entries. Supplied with one stopping plug
Terminals:	0.5 to 1.5mm ² cables.
Operating temperature:	-25 to +55°C
Storage temperature:	-40 to +70°C
Relative humidity:	90% at 20°C.
Weight :	DC: 1.6kg AC:1.85kg

*SPL data +/-3dB(A). Measured at optimum voltage.

Alarm sander:

Version:	Voltage range:	Current mA:
24V dc	10-30V dc	25mA*
48V dc	35-60V dc	50mA*
24V ac	50/60Hz +/-10%	40mA
115V ac	50/60Hz +/-10%	20mA
230V ac	50/60Hz +/-10%	15mA

* current at nominal voltage on Tone 2

Tone table:

Stage 1	Frequency Description	dB @ 1m	Stage 2	Stage 3
Tone 1	340 Hz Continuous	102dB(A) @ 1m	Tone 2	Tone 5
Tone 2	800/1000Hz @ 0.25 sec Alternating - BS5839 Alarm tone	106dB(A) @ 1m	Tone 17	Tone 5
Tone 3	500/1200Hz @ 0.3Hz 0.5 sec Slow Whoop - NEN 2575:2000	106dB(A) @ 1m	Tone 2	Tone 5
Tone 4	800/1000Hz @ 1Hz Sweeping	106dB(A) @ 1m	Tone 6	Tone 5
Tone 5	2400Hz Continuous	112dB(A) @ 1m	Tone 3	Tone 20
Tone 6	2400/2900Hz @ 7Hz Sweeping	108dB(A) @ 1m	Tone 7	Tone 5
Tone 7	2400/2900Hz @ 1Hz Sweeping	108dB(A) @ 1m	Tone 10	Tone 5
Tone 8	500/1200/500Hz @ 0.3Hz Sweeping	106dB(A) @ 1m	Tone 2	Tone 5
Tone 9	1200/500Hz @ 1Hz - DIN / PFEER P.T.A.P.	106dB(A) @ 1m	Tone 15	Tone 2
Tone 10	2400/2900Hz @ 2Hz Alternating	110dB(A) @ 1m	Tone 7	Tone 5
Tone 11	1000Hz @ 1Hz Intermittent	106dB(A) @ 1m	Tone 2	Tone 5
Tone 12	800/1000Hz @ 0.875Hz Alternating	106dB(A) @ 1m	Tone 4	Tone 5
Tone 13	2400Hz @ 1Hz Intermittent	112dB(A) @ 1m	Tone 15	Tone 5
Tone 14	800Hz 0.25sec on, 1 sec off Intermittent	108dB(A) @ 1m	Tone 4	Tone 5
Tone 15	800Hz Continuous	108dB(A) @ 1m	Tone 2	Tone 5
Tone 16	660Hz 150mS on, 150mS off Intermittent	104dB(A) @ 1m	Tone 18	Tone 5
Tone 17	544Hz (100mS)/440Hz (400mS) - AFNOR NF S 32-001	104dB(A) @ 1m	Tone 2	Tone 27
Tone 18	660Hz 1.8sec on, 1.8sec off Intermittent	104dB(A) @ 1m	Tone 2	Tone 5
Tone 19	1.4KHz-1.6KHz 1s, 1.6KHz-1.4KHz 0.5s - AFNOR NFC48-265	106dB(A) @ 1m	Tone 2	Tone 5
Tone 20	660Hz Continuous	104dB(A) @ 1m	Tone 2	Tone 5
Tone 21	554Hz/440Hz @ 1Hz Alternating	104dB(A) @ 1m	Tone 2	Tone 5
Tone 22	544Hz @ 0.875 sec. Intermittent	104dB(A) @ 1m	Tone 2	Tone 5
Tone 23	800Hz @ 2Hz Intermittent	108dB(A) @ 1m	Tone 6	Tone 5
Tone 24	800/1000Hz @ 50Hz Sweeping	108dB(A) @ 1m	Tone 29	Tone 5
Tone 25	2400/2900Hz @ 50Hz Sweeping	108dB(A) @ 1m	Tone 29	Tone 5
Tone 26	Bell	100dB(A) @ 1m	Tone 2	Tone 15
Tone 27	554Hz Continuous	104dB(A) @ 1m	Tone 26	Tone 5
Tone 28	440Hz Continuous	103dB(A) @ 1m	Tone 2	Tone 5
Tone 29	800/1000Hz @ 7Hz Sweeping	105dB(A) @ 1m	Tone 7	Tone 5
Tone 30	300Hz Continuous	100dB(A) @ 1m	Tone 2	Tone 5
Tone 31	660/1200Hz @ 1Hz Sweeping	105dB(A) @ 1m	Tone 26	Tone 5
Tone 32	Two tone chime.	103dB(A) @ 1m	Tone 26	Tone 15

Country specific or custom tone configurations and alarm frequencies are available upon request.

Alternative versions available:

- DL105X alarm horn & Xenon beacon
- DL105H alarm horn & L.E.D. beacon
- D112 alarm horn 119dB(A) sander
- DL112X alarm horn & Xenon beacon
- DL112H alarm horn & L.E.D. beacon
- D105AX voice alarm 110dB(A)
- DL105AXX voice alarm & Xenon beacon
- DL105AXH voice alarm & L.E.D. beacon