

MB005 Xenon Strobe Beacon

The MB005 is a 5 Joule Xenon strobe beacon featuring a robust, fire retardant, IP66 & IP67 housing; suitable for harsh environments.

Part codes:

Version:	Part code:
12V dc	MB005DC12G-[xx]
24V dc	MB005DC24G-[xx]
48V dc	MB005DC48G-[xx]
115V ac	MB005AC115G-[xx]
230V ac	MB005AC230G-[xx]
[xx] = Lens colour:	AM: Amber, BL: Blue, CL: Clear, GN: Green, RD: Red, YW: Yellow

Features:

- Automatic synchronised flash, or Flip-Flop alternating mode.
- Xenon tube mechanically secured against vibration.
- Continuously rated.
- Large termination area.
- Stainless steel fixings.
- Ratchet adjustable stainless steel 'U' bracket for 360° positioning.
- Duplicate cable terminations (in & out for daisy-chain installations).
- Tropicalised as standard.

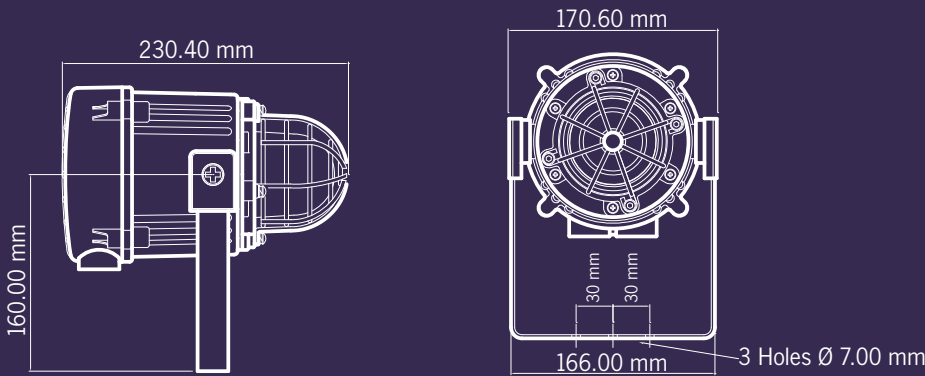
Approvals:

- GOST-R approved. Cert: POCC GB-JB05-B02228



Also available as the MCA112-05 combined alarm sounder and Xenon beacon and the MCL15-05 15W PA Loudspeaker with Xenon beacon.





Specification:

Energy:	5 Joules (5Ws)
Flash rate:	1Hz (60 fpm)
Peak Candela:	16,428 cd
Effective Intensity cd:	51 cd*
Lens colours:	Amber, Blue, Clear, Green, Red & Yellow
Voltages DC:	12V dc; 24V dc; 48V dc
Voltages AC:	115V ac; 230V ac
Ingress protection:	IP66 & IP67 (Third party tested)
Housing material:	High impact UL94 V0 & 5VA FR ABS
Colour:	Grey (RAL7038)
Cable entries:	2 x M20 supplied with 1 blanking plug
Lens material:	Borosilicate glass dome with PC prismatic lens cover.
Guard:	Stainless Steel dome guard as standard
Terminals:	0.5 to 4.0mm ² cables.
Operating temperature:	-25 to +55°C
Storage temperature:	-40 to +70°C
Relative humidity:	90% at 20°C.
Weight :	1.48kg

*Candela measurements representative of performance with clear lens at optimum voltage.

Current consumption:

Version:	Voltage range:	Current mA:
12V dc	10-14V dc	750mA
24V dc	20-28V dc	270mA
48V dc	42-54V dc	180mA
115V ac 50/60Hz	+/-10%	140mA
230V ac 50/60Hz	+/-10%	55mA

