

L101 5 Joule Xenon

L101H High Output L.E.D.

L101B Filament Lamp Beacon

The L101 is a compact, robust beacon ideal for all general signalling applications including fire, security and process control. Available with either a Xenon, L.E.D. or filament lamp light source.

Part codes:

[b] = Back box type:

A: A100 type, M: Multi-purpose type

S: Sonora type.

Omit for standard L101 back box

[x] = Housing colour:

G: Grey, R: Red, W: White

[y] = Lens / L.E.D. colour:

A: Amber, B: Blue, C: Clear,

G: Green, O: Opal, R: Red, Y: Yellow

Note: L101H L.E.D. colours:
Amber, Blue, Green, Red & Yellow. (Clear lens)

Suffix part number with '-UL' for UL approved version (Xenon version only).

For Synchronised Xenon versions start part code with L101S.

Features:

- Back boxes available with and without mounting lugs
- Tropicalisation available on request
- Can be stacked to create multi-signal units.
- Can be combined with AlertAlarm & Sonora audible signals

Approvals:

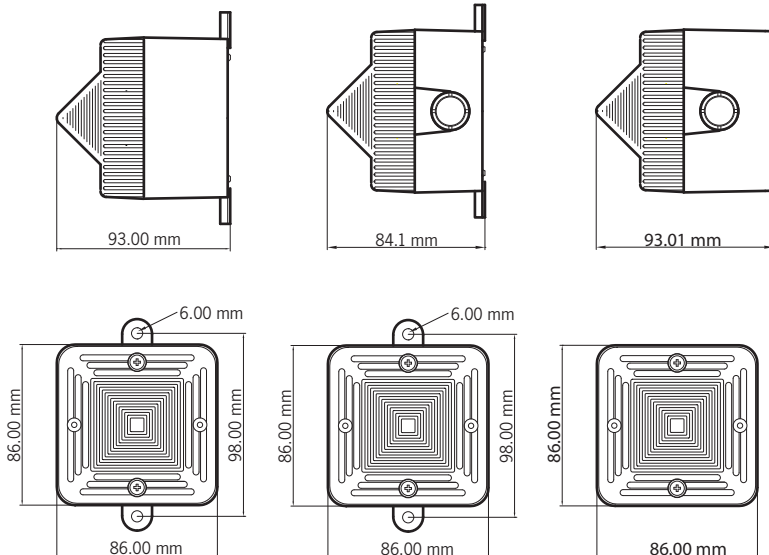
- UL approved version available.
- GOST-R certificate: POCC GB.JB05.B02228



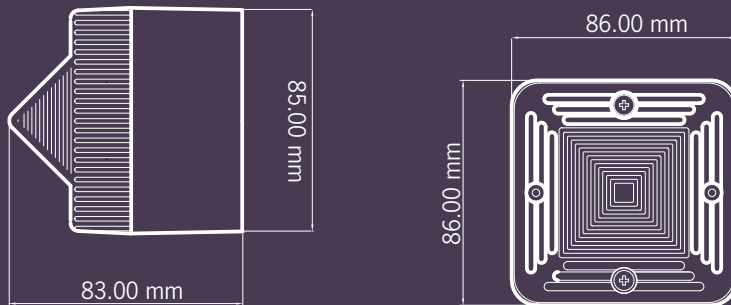
Multi-purpose type back box

A100 type back box

Sonora type back box



L101 standard back box

**Specification:****L101 - Xenon:**

Energy:	5 Joules (5Ws)
Flash rate:	1Hz (60 fpm)
Peak Candela:	86,935 cd
Effective Intensity cd:	200 cd*
Terminals:	0.5 to 4.0mm ² cables.
Lens colours:	Amber, Blue, Clear, Green, Opal, Red, Yellow
Tube life :	Emissions are reduced to 70% after 8 million flashes
Synchronisation:	'Synch' version available providing full synchronisation on multi-beacon systems.

L101H - L.E.D.:

Light source:	High intensity L.E.D. array. 24 x Superflux type high output L.E.D's
Options:	Steady or flashing mode (on board selection)
Effective Intensity cd:	White L.E.D: 120cd
Terminals:	0.5 to 4.0mm ² cables
L.E.D. colours:	Amber Blue, Green, Red and White
Lens colour:	All L.E.D. colours use a Clear lens to maximise output and to ensure the signal is most effective in high ambient light levels.

L101B - Filament Lamp:

Light source:	Filament Bulb: 3 Watt (MES)
Options:	Steady or blinking (1.5Hz) mode.
Effective Intensity cd:	2 cd*
Terminals:	0.5 to 1.5mm ² cables
Remote function:	Remote switching from steady to blinking mode.

L101 Xenon Beacon:

Version:	Voltage range:	Current mA:	Part Code:
12V dc/ac	10-14V	500mA/380mA	L101DC12[b][x]/[y]
24V dc/ac	20-28V	250mA/300mA	L101DC24[b][x]/[y]
48V dc/ac	42-54V	175mA/250mA	L101DC48[b][x]/[y]
115V ac 50/60Hz	+/-10%	70mA	L101AC115[b][x]/[y]
230V ac 50/60Hz	+/-10%	35mA	L101AC230[b][x]/[y]

L101H L.E.D. Beacon:

Version:	Voltage range:	Current mA:	Part Code:
DC	10-30V dc	155mA (@24V dc)	L101HDC24[b][x]/[y]
AC/DC 50/60Hz	90-260V ac/dc	35mA (@ 230V ac)	L101HAC230[b][x]/[y]

L101B Filament Lamp Beacon:

Version:	Voltage range:	Current mA:	Part Code:
12V dc	10-14V dc	250mA	L101BDC12[b][x]/[y]
24V dc	20-28V dc	125mA	L101BDC24[b][x]/[y]
48V dc	42-54V dc	65mA	L101BDC48[b][x]/[y]
115V ac 50/60Hz	+/-10%	30mA	L101BAC115[b][x]/[y]
230V ac 50/60Hz	+/-10%	15mA	L101BAC230[b][x]/[y]

General:

Ingress Protection:	IP66
Housing material:	UL94V0 & 5VA FR ABS
Housing colour:	RAL3000 Red, RAL7038 Grey and White
Lens material:	PC
Fixings:	Stainless Steel
Operating temp:	-25° to +55°C
Storage temp:	-40° to +70°C
Relative humidity:	90% at 20°C
Weight :	0.20kg