

SONFL1H-H High Output Alarm Sounder & LED Beacon

The SONFL1H-HO features the 105dB(A) SONF1-HO alarm sounder combined with the L101H high output L.E.D. beacon. The compact, robust housing is ideal for all general signalling applications including fire, security and process control.

The array of 24 Superflux type high output L.E.D.'s generates over 120 candela of light output and can be user set to either steady or flashing mode. Sounder & beacon may be connected from a single supply for simultaneous operation or from separate supplies for independent operation.

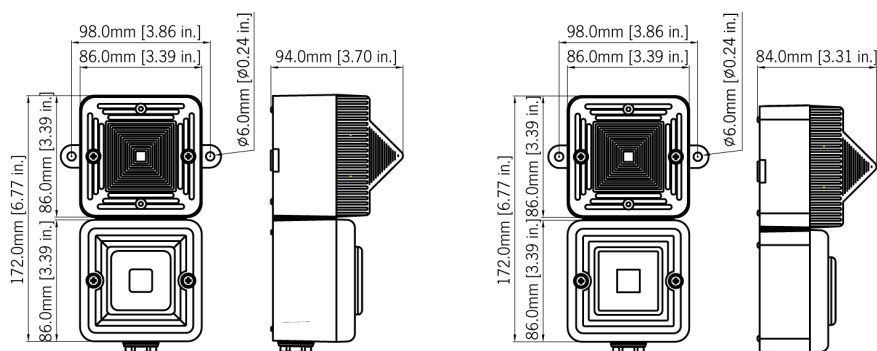
Features

- High output L.E.D array
- Automatic synchronisation on multi-sounder system.
- Continuously rated.
- Stainless steel fixings.
- Mounting via internal BESA compatible fixing positions or via external mounting lugs.
- Duplicate cable terminations (in & out for daisy-chain installations).
- Tropicalisation available on request.
- Available with custom tone configurations and frequencies.

Approvals

- SONF1-HO sounder: VdS approved to EN54-3 (CPD 89/106/EEC).
- GOST-R approved. Cert: POCC GB-JB05-H00144.





Specification

Sounder:

Maximum output:	105dB(A) @ 1 metre [96dB(A) @ 10ft/3m]
Nominal output:	103dB(A) @ 1m +/- 3dB - Tone 1 [94dB(A) @ 10ft/3m]
No. of tones:	10 (UKOOA / PFEER compliant)
No. of stages:	2
Effective range:	32m/105ft @ 1KHz

Beacon:

Light source:	High intensity L.E.D. array. 24 x Superflux type high output L.E.D's
Options:	Steady or 2Hz flash mode (on board selection)
Peak/Effective Intensity cd:	Green L.E.D: 176cd - measured ref. to I.E.S.
Terminals:	0.5 to 4.0mm ² cables
L.E.D. colours:	Amber Blue, Green, Red and White
Lens colour:	All L.E.D. colours use a Clear lens to maximise output and to ensure the signal is most effective in high ambient light.

General:

Voltages DC:	12Vdc; 24V dc
Ingress protection:	IP66
Housing material:	High impact UL94 V0 & 5VA FR ABS
Colour:	Red (RAL3000), grey (RAL7038) & white.
Lens material:	PC
Cable entries:	4 x M20 clearance gland knockouts in side & back
Terminals:	0.5 to 1.5mm ² cables.
Operating temp:	-25 to +55°C [-13° to +131°F]
Storage temp:	-40 to +70°C [-40° to +158°F]
Relative humidity:	90% at 20°C [68°]
Weight:	0.50kg/1.1lbs

*SPL data +/-3dB(A). Measured at optimum voltage.

*Candela measurements representative of performance with clear lens at optimum voltage.

Part Codes

Version:	Part code:
12V dc	SONFL1HDC012 [x]/[y]-H
24V dc	SONFL1HDC024 [x]/[y]-H
x] = Housing colour:	G: Grey, R: Red, W: White
y] = L.E.D. colour:	A: Amber, B: Blue, W: Clear (White) G: Green, R: Red

Note: To maximise output in high ambient light environments the SONFL1H-HO uses clear lenses for all L.E.D colours.

Alarm Sounder

Version:	Voltage:	Current :
12V dc	10-18V dc	50mA
24V dc	18-30V dc	80mA

* current at nominal voltage on Tone 2

L.E.D. Beacon

Version:	Voltage:	Current:
24V dc	10-30V dc	155mA (@ 24V dc)

Tonetable

S 1	Description	S 2
T 1	800/1000Hz @ 0.25 sec Alternating	T 8
T 2	500/1200Hz @ 0.3Hz 0.5 sec Slow Whoop	T 1
T 3	1200/500Hz @ 1Hz - DIN / PFEER P.T.A.P.	T 8
T 4	544Hz (100mS)/440Hz (400mS) - NF S 32-001	T 9
T 5	Bell	T 1
T 6	800/1000Hz @ 7Hz Sweeping	T 8
T 7	500-1200Hz 3.75sec /0.25sec. Australian Evac.	T 10
T 8	1000Hz Continuous - PFEER Toxic Gas	
T 9	Continuous 554Hz	
T 10	420Hz @ 0.625 sec Australian Alert	

Where applicable following tones are available on AC voltage versions:

Stage **Frequency Description
1**

T 1	800/1000Hz @ 0.25 sec Alternating
T 2	500/1200Hz @ 0.3Hz 0.5 sec Slow Whoop
T 3	1200/500Hz @ 1Hz - DIN / PFEER P.T.A.P.
T 4	544Hz (100mS)/440Hz (400mS) - NF S 32-001
T 5	1000Hz Continuous - PFEER Toxic Gas
T 6	Bell
T 7	800/1000Hz @ 7Hz Sweeping
T 8	2 400/2900Hz @ 50Hz Sweeping
T 9	420Hz @ 0.625 sec Australian Alert
T 10	500-1200Hz 3.75sec /0.25sec. Australian Evac.