

# SONFL1X-H High Output Alarm Horn Sounder & Xenon Strobe

The SONFL1X-HO features the 105dB(A) SONF1-HO alarm horn sounder combined with the L101X Xenon strobe beacon. The compact, robust housing is ideal for all general signalling applications including fire, security and process control.

The 5 Joule Xenon strobe generates over 200 candela of light output. DC versions have multiple flash rates selectable during installation. Sounder & beacon may be connected from a single supply for simultaneous operation or from separate supplies for independent operation.

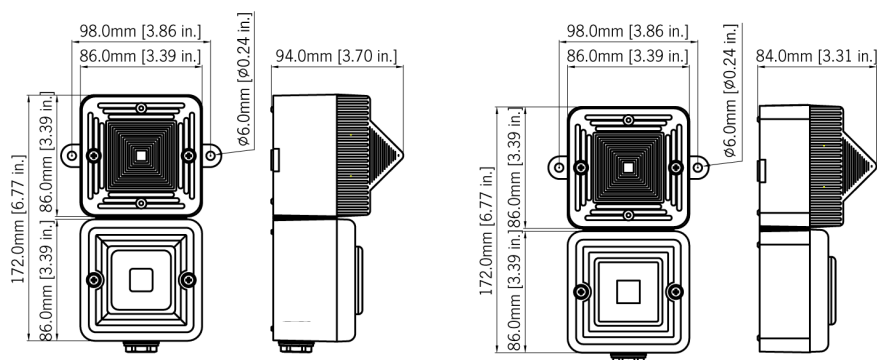
## Features

- Automatic synchronisation on multi-sounder system.
- High output Xenon beacon
- DC voltage units feature multiple flash rates.
- Continuously rated.
- Stainless steel fixings.
- Mounting via internal BESA compatible fixing positions or via external mounting lugs.
- Duplicate cable terminations (in & out for daisy-chain installations).
- Tropicalisation available on request.
- Available with custom tone configurations and frequencies.

## Approvals

- VdS approved: EN54-3 & EN54-23 (CPR 305/2011/EU).
- GOST-R approved. Cert: POCC GB-JB05-H00144.





## Specification

### Sounder:

Maximum output:	105dB(A) @ 1 metre [96dB(A) @ 10ft/3m]
Nominal output:	103dB(A) @ 1m +/- 3dB - Tone 1 [94dB(A) @ 10ft/3m]
No. of tones:	10 (UKOOA / PFEER compliant)
No. of stages:	2
Effective range:	32m/105ft @ 1KHz

### Beacon:

Energy:	5 Joules (5Ws)
Flash rate:	1Hz (60 fpm)
Peak Candela:	500,000 cd - calculated from energy (J)
Effective Intensity:	250 cd - calculated from energy (J)
Peak Candela:	86,935 cd* - measured ref. to I.E.S.
Effective Intensity:	200 cd* - measured ref. to I.E.S.
Lens colours:	Amber, Blue, Clear, Green, Magenta, Red & Yellow
Tube life:	Emissions are reduced to 70% after 8 million flashes

### General:

Voltages DC:	12Vdc; 24V dc
Ingress protection:	IP66
Housing material:	High impact UL94 V0 & 5VA FR ABS
Colour:	Red (RAL3000), grey (RAL7038) & white.
Lens material:	PC
Cable entries:	4 x M20 clearance gland knockouts in side & back
Terminals:	0.5 to 1.5mm <sup>2</sup> cables.
Operating temp:	-25 to +55°C [-13° to +131°F]
Storage temp:	-40 to +70°C [-40° to +158°F]
Relative humidity:	90% at 20°C [68°F]
Weight:	0.50kg/1.1lbs

\*SPL data +/-3dB(A). Measured at optimum voltage.

\*Candela measurements representative of performance with clear lens at optimum voltage.

## Part Codes

**Version:** 12V dc      **Part code:** SONFL1XDC012 [x]/[y]-H

24V dc      SONFL1XDC024[x]/[y]-H

[x] = Housing colour: G: Grey, R: Red, W: White

[y] = Lens colour: A: Amber, B: Blue, C: Clear, G: Green M: Magenta, R: Red, Y: Yellow

### CPR - EN54-3 & EN54-23:

Part code: SONFL1XDC024[x]/C-H

Environmental class: Type B - for outdoor use

Visual range: Category W-2 .4-4.8

Signal colour: Clear (1Hz)

### Alarm Sounder

Version:	Voltage:	Current :
12V dc	10-18V dc	50mA
24V dc	18-30V dc	80mA

### Xenon Beacon

Version:	Voltage:	Current :
12V dc	10-14V dc	500mA
24V dc	20-28V dc	250mA

### Tonetable

<b>S 1</b>	<b>Description</b>	<b>S 2</b>
T 1	800/1000Hz @ 0.25 sec Alternating	T 8
T 2	500/1200Hz @ 0.3Hz 0.5 sec Slow Whoop	T 1
T 3	1200/500Hz @ 1Hz - DIN / PFEER P.T.A.P.	T 8
T 4	544Hz (100mS)/440Hz (400mS) - NF S 32-001	T 9
T 5	Bell	T 1
T 6	800/1000Hz @ 7Hz Sweeping	T 8
T 7	500-1200Hz 3.75sec /0.25sec. Australian Evac.	T 10
T 8	1000Hz Continuous - PFEER Toxic Gas	
T 9	Continuous 554Hz	
T 10	420Hz @ 0.625 sec Australian Alert	