

SONFL1H Alarm Sounder & LED Beacon

The SONFL1H features the 100dB(A) SONF1 alarm sounder combined with the L101H high output L.E.D. beacon. The compact, robust housing is ideal for all general signalling applications including fire, security and process control.

The array of 24 Superflux type high output L.E.D's generates over 120 candela of light output and can be user set to either steady or flashing mode. Sounder & beacon may be connected from a single supply for simultaneous operation or from separate supplies for independent operation.

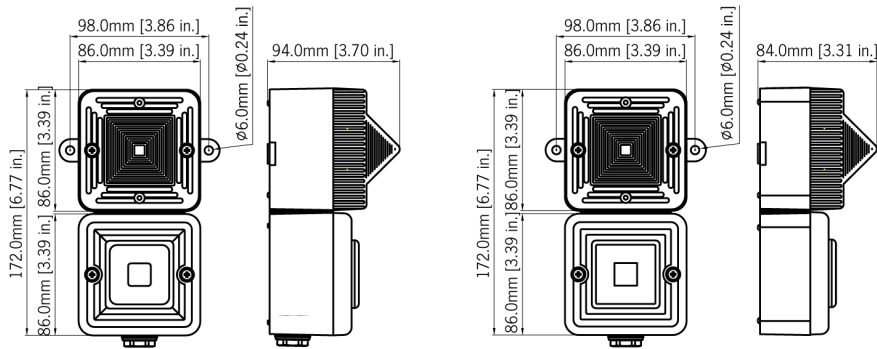
Features

- High output L.E.D array
- Automatic synchronisation on multi-sounder system.
- Continuously rated.
- Stainless steel fixings.
- Mounting via internal BESA compatible fixing positions or via external mounting lugs.
- Duplicate cable terminations (in & out for daisy-chain installations).
- Tropicalisation available on request.
- Available with custom tone configurations and frequencies.

Approvals

- SONF1 sounder: VdS approved to EN54-3 (CPD 89/106/EEC).
- GOST-R approved. Cert: POCC GB-JB05-H00144.
- UL & cULs approved: General signalling use.





Specification

Sounder:

Maximum output: 100dB(A) @ 1 metre [91dB(A) @ 10ft/3m]

Nominal output: 99dB(A) @ 1m +/- 3dB - Tone 1 [90dB(A) @ 10ft/3m]

No. of tones: 10 (UKOOA / PFEER compliant)

No. of stages: 2

Volume control: On board potentiometer

Effective range: 30m/99ft @ 1KHz

Beacon:

Light source: High intensity L.E.D. array.
24 x Superflux type high output L.E.D.'s

Options: Steady or 2Hz flash mode (on board selection)

Peak/Effective Intensity cd: Green L.E.D: 176cd - measured ref. to I.E.S.

Terminals: 0.5 to 4.0mm² cables

L.E.D. colours: Amber Blue, Green, Red and White

Lens colour: All L.E.D. colours use a Clear lens to maximise output and to ensure the signal is most effective in high ambient light.

General:

Voltages DC: 12Vdc; 24V dc

Voltages AC: 115V ac; 230V ac

Ingress protection: IP66

Housing material: High impact UL94 V0 & 5VA FR ABS

Colour: Red (RAL3000), grey (RAL7038) & white.

Lens material: PC

Cable entries: 4 x M20 clearance gland knockouts in side & back

Terminals: 0.5 to 1.5mm² cables.

Operating temp: -25 to +55°C [-13° to +131°F]

Storage temp: -40 to +70°C [-40° to +158°F]

Relative humidity: 90% at 20°C [68°F]

Weight: 0.50kg/1.1lbs

*SPL data +/-3dB(A). Measured at optimum voltage.

*Candela measurements representative of performance with clear lens at optimum voltage.

Part Codes

Version:

24V dc SONFL1HDC024[x]/[y]

115V ac SONFL1HAC115[x]/[y]

230V ac SONFL1HAC230[x]/[y]

[x] = Enclosure G: Grey, R: Red, W: White
colour:

[y] = Light colour: A: Amber, B: Blue, W: Clear (White)
G: Green, R: Red

Suffix part number with 'UL' for UL approved version.

Alarm Sounder

Version:

24V dc

Voltage:

10-30V dc

Current:

25mA*

115V ac 50/60Hz +/-10% 13mA

230V ac 50/60Hz +/-10% 13mA

* current at nominal voltage on Tone 2

L.E.D. Beacon

Version:

24V dc

Voltage:

10-30V dc

Current:

155mA (@ 24V dc)

115/230V ac 90-260V ac/dc 35mA (@230V ac)
50/60Hz

Tonetable

S 1	Description	S 2
T 1	800/1000Hz @ 0.25 sec Alternating	T 8
T 2	500/1200Hz @ 0.3Hz 0.5 sec Slow Whoop	T 1
T 3	1200/500Hz @ 1Hz - DIN / PFEER P.T.A.P.	T 8
T 4	544Hz (100mS)/440Hz (400mS) - NF S 32-001	T 9
T 5	Bell	T 1
T 6	800/1000Hz @ 7Hz Sweeping	T 8
T 7	500-1200Hz 3.75sec /0.25sec. Australian Evac.	T 10
T 8	1000Hz Continuous - PFEER Toxic Gas	
T 9	Continuous 554Hz	
T 10	420Hz @ 0.625 sec Australian Alert	

Where applicable following tones are available on AC voltage versions:

Stage **Frequency Description
1**

T 1	800/1000Hz @ 0.25 sec Alternating
T 2	500/1200Hz @ 0.3Hz 0.5 sec Slow Whoop
T 3	1200/500Hz @ 1Hz - DIN / PFEER P.T.A.P.
T 4	544Hz (100mS)/440Hz (400mS) - NF S 32-001
T 5	1000Hz Continuous - PFEER Toxic Gas
T 6	Bell
T 7	800/1000Hz @ 7Hz Sweeping
T 8	2 400/2900Hz @ 50Hz Sweeping
T 9	420Hz @ 0.625 sec Australian Alert
T 10	500-1200Hz 3.75sec /0.25sec. Australian Evac.