



## Ex position switch with safety function

Ex 14 D 10/1S - 2m

Material number: 1164918 (Material number (old): 14021303)

### Features/Options

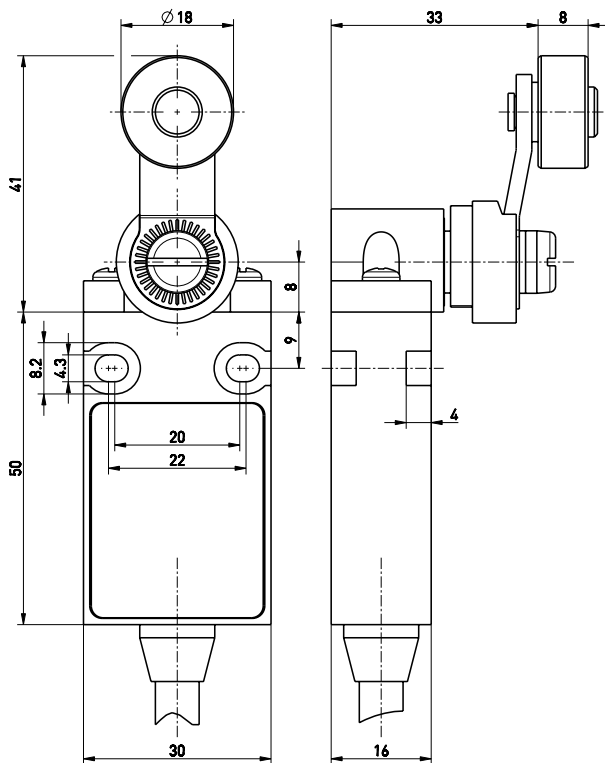
- Ex zone 1 and 21
- Thermoplastic enclosure
- Double insulated
- Slow action  $\ominus$ , change-over contact with double break
- Mounting details to EN 50047
- Suitable for in-line mounting
- With pre-wired cable, cable length 2 m

- Actuator: Rocking lever D
- Actuating speed max. 0.5 m/s with a vertical actuating angle of 45°
- Wear-resistant plastic roller
- Lever can be repositioned in 10° steps clockwise or counter-clockwise
- Actuator can be repositioned by 180°
- N.B.: Please state required approvals for Russia, China, Brazil and North America with your order!

### Note

- With metal roller available on request

### Dimensions



### Technical data

|  |   |
|--|---|
| <b>Standards</b>                               | EN 60947-5-1; EN 1088;<br>EN 60079-0, EN 60079-1,<br>EN 60079-31; EN ISO 13849-1  |
| <b>Enclosure</b>                               | glass-fibre reinforced,<br>shock-proof thermoplastic,<br>self-extinguishing UL 94-V0<br>IP 65 to IEC/EN 60529   |
| <b>Degree of protection</b>                    | IP 65 to IEC/EN 60529   |
| <b>Contact material</b>                        | silver  |
| <b>Switching system</b>                        | slow action   |
| <b>Switching elements</b>                      | change-over contact with double<br>break Zb, galvanically separated<br>contact bridges, positive break NC<br>contacts $\ominus$                               |
| <b>Connection</b>                              | cable H05VV-F, 4 x 0.75 mm <sup>2</sup>   |
| <b>B<sub>10d</sub> (10 % Load)</b>             | 2 million   |
| <b>T<sub>M</sub></b>                           | max. 20 years   |
| <b>U<sub>imp</sub></b>                         | 4 kV  |
| <b>U<sub>i</sub></b>                           | 250 V   |
| <b>I<sub>the</sub></b>                         | T6: 6 A, T5: 3 A  |
| <b>I<sub>e</sub>/U<sub>e</sub></b>             | 6 A/250 VAC; 0.25 A/230 VDC   |
| <b>Utilisation category</b>                    | AC-15; DC-13  |
| <b>Max. fuse rating</b>                        | 6 A gG/gN fuse  |
| <b>Ambient temperature</b>                     | T6: -20 °C ... +65 °C,<br>T5: -20 °C ... +90 °C   |
| <b>Mechanical life</b>                         | > 1 million operations  |
| <b>Frequency of operation</b>                  | 1800/h  |
| <b>Repeat accuracy of switching<br/>points</b> | ± 0.1 mm  |
| <b>Contact opening</b>                         | max. 2 x 4 mm   |
| <b>Note</b>                                    | Switch must be protected from<br>mechanical damage!   |
| <b>Ex marking</b>                              | $\text{Ex}$ II 2G Ex d IIC T6/T5 Gb,<br>$\text{Ex}$ II 2D Ex tb IIIC<br>T80 °C/T95 °C Db IP65<br>IECEX Ex d IIC T6/T5 Gb,<br>Ex tb IIIC T80 °C/T95 °C Db IP65 |
| <b>Approvals</b>                               | PTB 03 ATEX 1070 X<br>IECEX PTB 06.0098X  |
| <b>Weight</b>                                  | 180 g   |





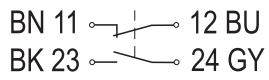
Ex position switch with safety function

Ex 14 D 10/1S - 2m

Material number: 1164918 (Material number (old): 14021303)

Errors and omissions excepted.

## Contact diagram



## Switching diagram

