

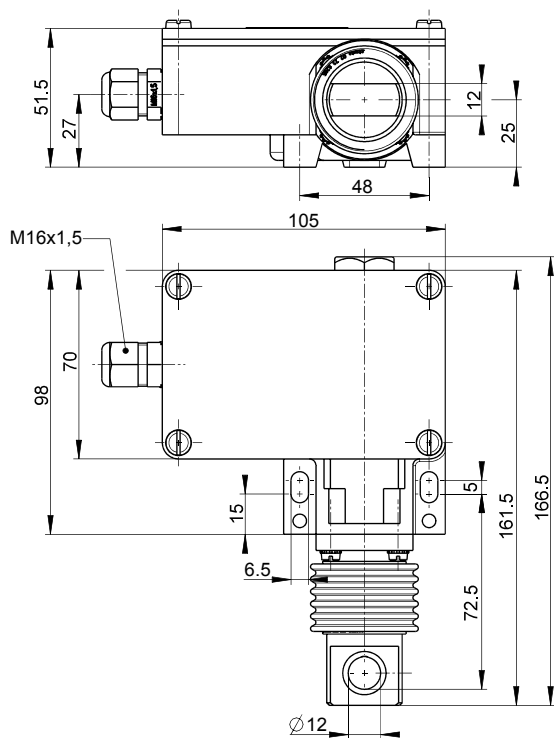


Anti-two-block switch Extreme ZS 73 1Ö/1S W HES 130N -40°C Niro hard-coated Extreme Material number: 1400555

Features/Options:

- Pull-wire unit made of stainless steel 1.4404, hard-coated housing, cover made of stainless steel 1.4404, screws A2
- Cold-resistant down to -40 °C
- High degree of protection IP 66 / IP 67
- Metal enclosure
- 2 contacts
- Watertight collar W for protection against penetration of dirt
- Max. traction force 130 N
- For limiting the hoist height

Dimensions



Technical data

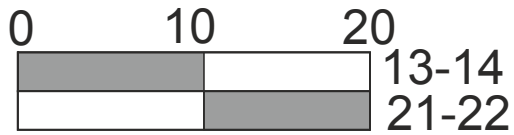
Standards	EN 60947-5-1
Enclosure	aluminium die-cast, hard-coated and powder-coated, similar to RAL 7016 anthracite
Cover	Stainless steel 1.4404, powder-coated, similar to RAL 1003
Degree of protection	IP 66/67 to IEC/EN 60529
Contact material	silver, gold-plated
Switching system	snap action
Switching elements	1 NC/1 NO contact, type Zb
Connection	screw connection terminals
Cable cross-section	max. 2.5 mm ² (incl. conductor ferrules)
Cable entry	1 x M16 x 1.5
B _{10d} (10 % load)	200 000
T _M	max. 20 years
Rated impulse withstand voltage U _{imp}	6 kV
Rated operating isolation voltage U _i	400 V
I _{the}	6 A
Utilisation category	AC-15
Rated operating current/voltage I _e /U _e	6 A/400 VAC
Max. fuse rating	6 A gG/gN fuse
Ambient temperature	-40 °C ... +70 °C
Mechanical life	> 100 000 operations
Weight	815 g

Errors and omissions excepted.

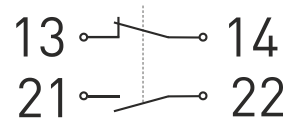


Anti-two-block switch Extreme
ZS 73 1Ö/1S W HES 130N -40°C Niro hard-coated Extreme
Material number: 1400555

Switching diagram



Contact diagram



Switching function:

At rest (switch not pulled) the switching contacts 13-14 are closed and 21-22 open;
on actuation (pull wire) the switching contacts 13-14 are open and 21-22 closed.