



Magnetic sensor RC 23 1W-2m -40°C Extreme GL Material no.: 1190493 (material no. old: 22339209)

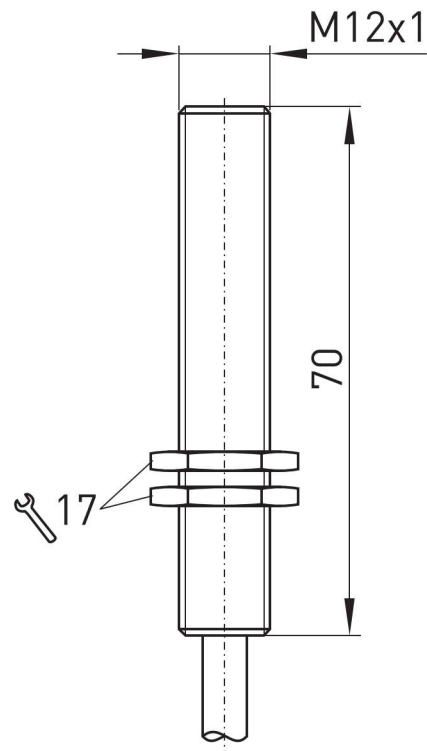
Product features

- Cold-resistance down to -40°C
- Metal enclosure
- Long life
- M12 x1 thread
- 1 Reed contact
- Actuation from front and from side
- Switching distance up to 30 mm depending on the actuating magnet
- With pre-wired cable
- Maritime certification to DNV (formerly GL)

Notes

- 2 mounting nuts are included in delivery
- The actuator is not included in the delivery of the switches

Dimensions



Technical data

Applied standards
EN IEC 60947-5-2

Enclosure
brass, nickered

Degree of protection
IP67 (IEC/EN 60529)

Switching system
reed contacts

Switching elements
1 change-over contact

Connection
pre-wired cable BETAflam 145flex

Cable cross-section
3 x 0.75 mm²

Cable length
2 m

Switching voltage
max. 250 VAC/DC

Switching current
max. 0.5 A DC / max. 0.35 A AC

Switching capacity
max. 30 W

Ambient temperature
-40 °C ... +80 °C

Mechanical life
10⁹ operations

Repeatability
± 0.02 mm

Vibration resistance
10 g

Approvals

DNV

Errors and omissions excepted.



Magnetic sensor

RC 23 1W-2m -40°C Extreme GL

Material no.: 1190493 (material no. old: 22339209)

Contact diagram

