



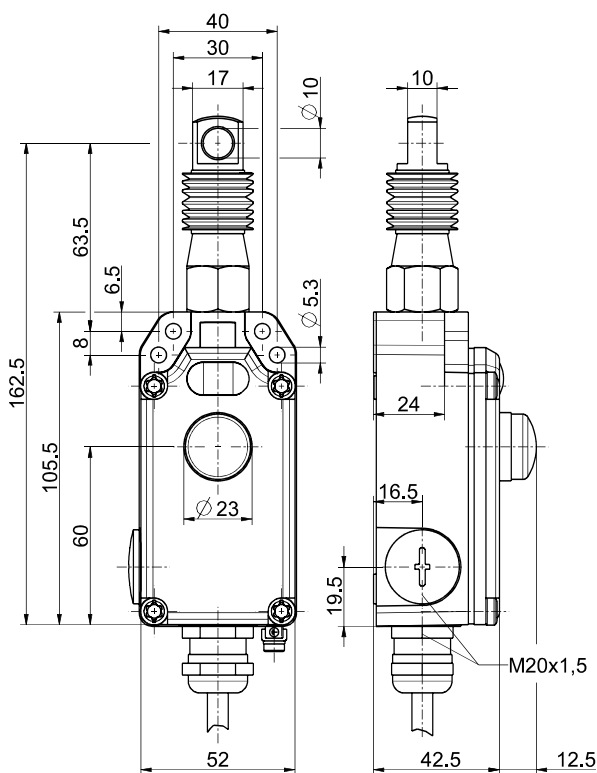
## Ex emergency pull-wire switches Ex ZS 71 2Ö WVD-A / 100 N - 3m

Material number: 1189338 (Material number old: 71542312)

### Features/Options:

- Ex zone 1 and 21
- Metal enclosure
- 2 contacts
- Small design
- Wire length up to 35 m

### Dimensions



- Release by push-button (VD)
- Wire pull and breakage detection
- Watertight collar W for protection against penetration of dirt
- Position indicator A
- N.B.: Please state required international approvals with your order!

### Technical data

Standards	EN 60947-5-1, -5; EN 60079-0, EN 60079-1, EN 60079-31; EN ISO 13850; EN ISO 13849-1
Enclosure	aluminium die-cast, powder-coated
Cover	glass-fibre reinforced, shock-proof thermoplastic (PA 66), self-extinguishing UL 94-V0
Switch insert	Ex 14
Degree of protection	IP 65 to IEC/EN 60529
Contact material	silver
Switching system	slow action, positive break NC contacts ⊖
Switching elements	2 NC contacts, type Zb
Connection	pre-wired cable H05VV-F
Cable length	3 m
Cable cross-section	4 x 0.75 mm <sup>2</sup> (incl. conductor ferrules)
B <sub>10d</sub> (10 % Load)	200 000
T <sub>M</sub>	max. 20 years
U <sub>imp</sub>	4 kV
U <sub>i</sub>	250 V
I <sub>the</sub>	T6: 6 A, T5: 3 A
Utilisation category	AC-15; DC-13
I <sub>e</sub> /U <sub>e</sub>	6 A/250 VAC; 0.25 A/230 VDC
Max. fuse rating	6 A gG/gN fuse
Ambient temperature	T6: -20 °C ... +65 °C, T5: -20 °C ... +75 °C, +90 °C with max. 3 A
Mechanical life	> 100 000 operations

Errors and omissions excepted.






## Ex emergency pull-wire switches

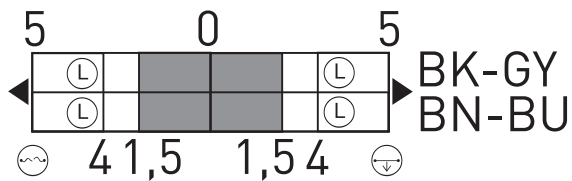
Ex ZS 71 2Ö WVD-A / 100 N - 3m

Material number: 1189338 (Material number old: 71542312)

### Technical data

Max. wire length	35 m
Features	wire pull and breakage detection
Impact energy	max. 7 J
Ex marking	Ⓔ II 2G Ex d IIC T6/T5 Gb, Ⓔ II 2D Ex tb IIIC T80 °C/T95 °C Db IECEx Ex d IIC T6/T5 Gb, Ex tb IIIC T80 °C/T95 °C Db
Approvals	PTB 11 ATEX 1003 X IECEx PTB 07.0034 X    
Weight	674 g

### Switching diagram



Note:  
 At 3 m distance intermediate wire supports are required. One wire thimble is provided.