



Ex position switch

ExM 14 VR - 2m

Material number: 1189102 (Material number (old): 14763302)

Features/Options

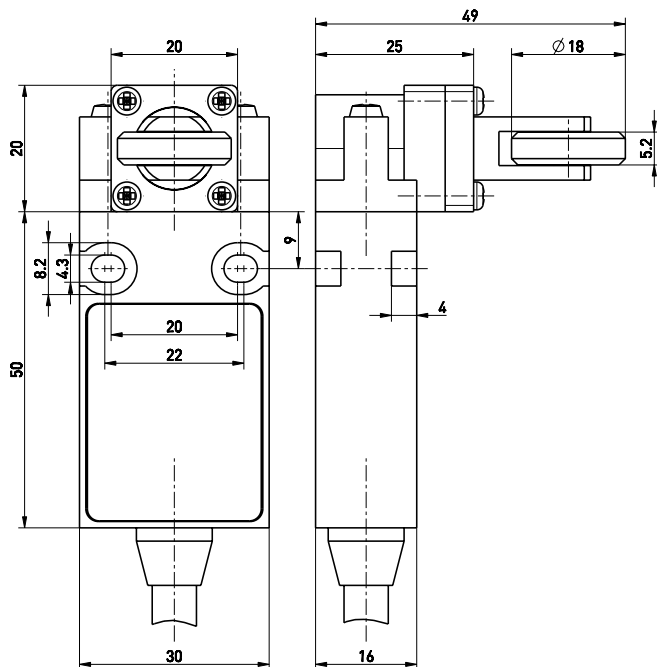
- Ex zone 1 and 21
- Thermoplastic enclosure
- Double insulated
- Snap action, change-over contact with single break
- Mounting details to EN 50047

- Suitable for in-line mounting
- With pre-wired cable, cable length 2 m
- Actuator: Vertical roller plunger VR
- Wear-resistant plastic roller
- N.B.: Please state required approvals for Russia and China with your order!

Note

- Actuator can be repositioned by 90° on request

Dimensions



Technical data

Standards	EN 60947-5-1; EN 60079-0, EN 60079-1, EN 60079-31
Enclosure	glass-fibre reinforced, shock-proof thermoplastic, self-extinguishing UL 94-V0 IP 65 to IEC/EN 60529
Degree of protection	IP 65 to IEC/EN 60529
Contact material	silver
Switching system	snap action
Switching elements	change-over contact with single break Form C
Connection	cable H05VV-F, 3 x 0.75 mm ²
U_{imp}	4 kV
U_i	250 V
I_{the}	5 A
I_e/U_e	5 A/250 VAC; 0.16 A/230 VDC
Utilisation category	AC-15; DC-13
Max. fuse rating	5 A gG/gN fuse
Ambient temperature	-20 °C ... +60 °C
Mechanical life	> 1 million operations
Frequency of operation	1800/h
Repeat accuracy of switching points	± 0.1 mm
Contact opening	max. 2 x 4 mm
Note	Switch must be protected from mechanical damage!
Ex marking	⊕ II 2G Ex d IIC T6 Gb, ⊕ II 2D Ex tb IIIC T80 °C Db IP65
Approvals	PTB 03 ATEX 1069 X



Errors and omissions excepted.

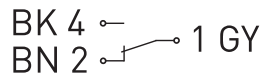


Ex position switch

ExM 14 VR - 2m

Material number: 1189102 (Material number (old): 14763302)

Contact diagram



Switching diagram

