



Multi-function handle

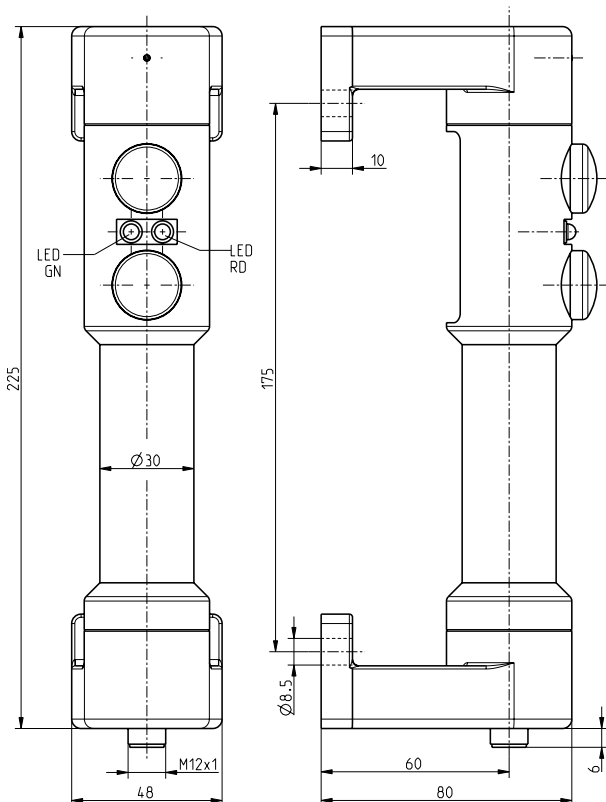
TG-W GR x S

Material number: 1051851 (Material number old: 97755921)

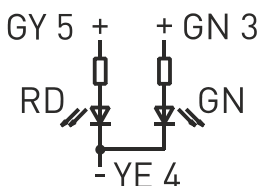
Features/Options:

- Thermoplastic handle
- Long life
- Blue start push button: 1 NO contact
- Green and red LED
- Green enabling push button: single-break change-over contact
- With plug-in connector M12 x 1, 8-pole

Dimensions



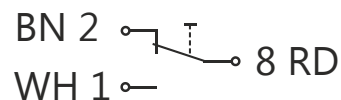
Contact diagram LEDs



Technical data

Applied standards	EN 60947-5-1
Enclosure	POM, glass-fibre reinforced, impact resistant
Degree of protection	IP 65 to IEC/EN 60529
Connection	Plug-in connector, A-coded
Rated operating current/voltage I_e/U_e	0.6 A/28 VDC LEDs: 10 mA/24 VDC
Rated insulation voltage U_i	30 VDC
Rated switching capacity	max. 0.6 W
Degree of pollution	3
Mechanical life	> 1 million operations
Ambient temperature	-25 °C ... +55 °C
Weight	440 g

Contact diagram enabling push-button



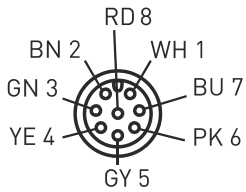


Multi-function handle

TG-W GR x S

Material number: 1051851 (Material number old: 97755921)

Plug-in configuration (view from plug side)



Contact diagram start push-button

