

BExBG10 Xenon Beacon

The flameproof BExBG10 xenon beacons are suitable for Zone 1, 2, 21 & 22 applications.

The BExBG10 10 Joule beacons are ideal for general signalling duties whilst their robust construction makes installation in the harshest of environments possible. Additional features include automatic synchronisation on multi-beacon systems and stainless steel guard and mounting bracket as standard.

The BEx range features enclosures manufactured from corrosion proof, marine grade copper free LM6 aluminium which is phosphated and powder coated. All models have two M20 cable entries, large termination areas containing in & out terminals (Ex de version only) and an ingress protection of IP66/67 (Ex d) and IP66 (Ex de).

Features:

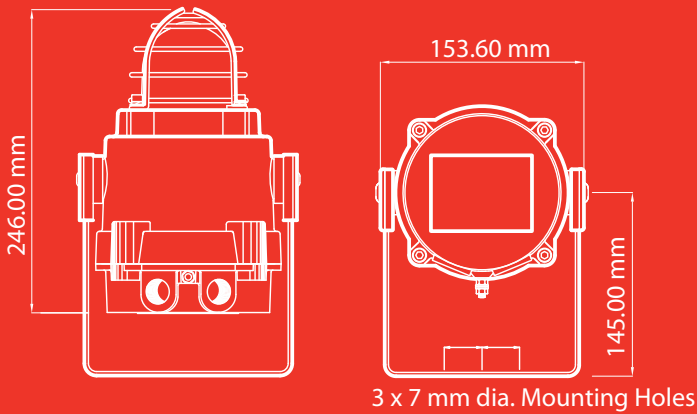
- Automatic synchronisation on multi-beacon system.
- Beacons can be set to 'flip-flop' alternating mode with other units on multi-beacon systems.
- Xenon tubes mechanically secured against shock & vibration
- Glass lens & Stainless Steel guard
- Very large termination area.
- Ratchet adjustable stainless steel 'U' bracket.
- IN & OUT terminals (Ex de version only).

Approvals:

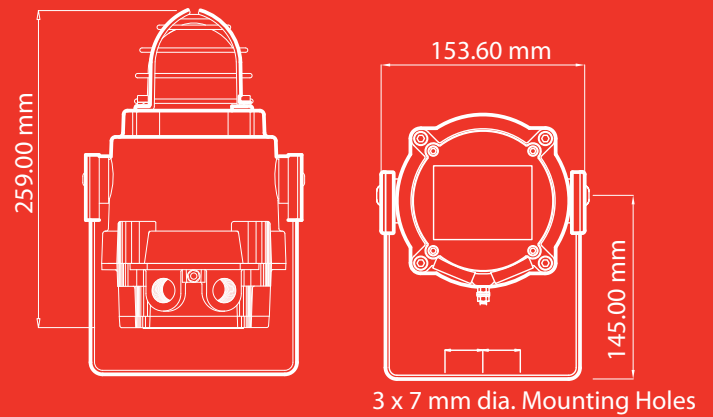
- ATEX certificate: KEMA 00ATEX2006, EN 60079-0 : 2006, EN 60079-1 : 2007, EN 60079-7 : 2003, EN 61241-0 : 2006, EN 61241-1 : 2004
- IECEx certificate: IECEx KEM 10.0002, IEC 60079-0 : 2004 (Ed4), IEC 60079-1 : 2007 (Ed6), IEC 60079-7 : 2001 (Ed3), IEC 61241-0 : 2004 (Ed1), IEC 61241-1 : 2004 (Ed1)
- GOST-R certificate: POCC GB.JB05.B02205
- Inmetro certificate: 10-IEEx-0010



BExBG10D version



BExBG10E version

**Part codes:**

| Part Code: | Classification: |
|------------|---|
| BExBG10D** | ATEX / IECEx: II 2G Ex d IIC T4 Ta. -50°C to +70°C II 2G Ex d IIC T5 Ta. -50°C to +40°C II 2D Ex tD A21 IP67 T125°C based on max. Ta. 70°C GOST-R: 1ExdIICT4 Ta. -50° to +55°C DIP A21 Ta T4 |
| BExBG10E** | ATEX / IECEx: II 2G Ex de IIC T4 Ta. -50°C to +70°C II 2G Ex de IIC T5 Ta. -50°C to +40°C II 2D Ex tD A21 IP66 T125°C based on max. Ta 70°C GOST-R: 2ExdeIICT4 Ta. -50° to +55°C DIP A21 Ta T4 |

** = Voltage & lens colour reference:

Voltage options: 12DC, 24DC, 48DC, 115AC, 230AC

Lens colour options: -AM (Amber)
-BL (Blue)
-CL (Clear)
-GN (Green)
-RD (Red)
-YW (Yellow)

e.g: BExBG10D115AC-AM

Assemblies:

The products from the BEx range are available as multiple unit assemblies with and without junction boxes. See the BExP data sheet for further info.



Specification:

| | |
|-------------------------|--|
| Energy: | 10 Joules (10Ws) |
| Flash rate: | 1Hz (60 fpm) |
| Peak Candela: | 79,531 cd |
| Effective Intensity cd: | 346 cd* |
| Lens colours: | Amber, Blue, Clear, Green, Red & Yellow |
| Voltages DC: | 12vdc; 24vdc; 48vdc |
| Voltages AC: | 115vac; 230vac |
| Ingress protection: | BG10D : IP66/67 BG10E : IP66 |
| Housing material: | Marine grade copper free LM6 Aluminium |
| Housing finish: | Phosphated & powder coated finish - anti-corrosion. |
| Colour: | RAL3000 Red (others available on request) |
| Cable entries: | Dual M20 ISO (one stopping plug included) |
| Terminals: | 0.5 to 4.0mm ² cables. |
| Line monitoring : | Min. 500 Ohm 2w, or 3k3 Ohm 0.5w res. or diode within Exd enclosure (dc versions). |
| Tube life : | Emissions are reduced to 70% after 8 million flashes |
| Weight : | DC: 2.45kg AC: 2.75kg |

Current consumption:

| Version: | Voltage range: | Current: |
|----------|------------------|----------|
| 12V dc | 10-14V dc | 1.45A |
| 24V dc | 20-28V dc | 660mA |
| 48V dc | 42-54V dc | 340mA |
| 115V ac | 50Hz/60Hz +/-10% | 250mA |
| 230V ac | 50Hz/60Hz +/-10% | 110mA |

Effective Candela lens colour factor:

| Amber | Blue | Clear | Green | Red | Yellow |
|-------|------|-------|-------|------|--------|
| 0.51 | 0.12 | 1.00 | 0.49 | 0.15 | 0.86 |

*All candela data is representative of performance with clear lens at optimum voltage.