

D1xL2F PA Loudspeakers 25W

The D1xL2F is a 25W PA loudspeaker with re-entrant flare horn. A high SPL in a robust Type 4/4X, IP66 marine grade, corrosion proof aluminium enclosure ensures the D1xL2F is suitable for all Class I & II Division 1 & Zone 1 & 20 explosion proof applications.

The re-entrant flare horn is high impact, fire retardant ABS and is field replaceable - the driver employs a standard 1 3/8" -18 male thread coupling. All models have triple cable entries, and large termination areas. The termination chamber and cover feature a threaded flameproof joint simplifying both installation and routine maintenance.

Features

- High output
- Compact form factor
- Multiple transformer tapings
- Field replaceable flare component
- Robust corrosion proof aluminium enclosure
- Ratchet adjustable stainless steel bracket
- Stainless steel fixings
- Triple cable entries
- Duplicate cable terminations
- Threaded cover joint for fast installation

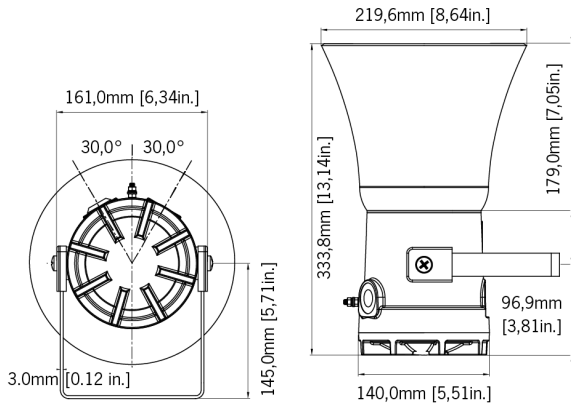
Approvals

- UL File ref: E230764
UL1203 Ed. 5
CAN/CSA C22.2 No. 25-1966
CSA C22.2 No. 30-M1986
CSA C22.2 No. 205-12
UL1480 Ed. 6
Commercial and professional use
- CSFM listing: 7136-2279:0504

Coding

- A1: Gas version
NEC / CEC:
Class I Div 1 ABCD T6 Ta -40°C to +70°C
Class I Div 2 ABCD T6 Ta -40°C to +70°C
Class I Zone 1, 2 IIC T6 Ta -40°C to +70°C
- D1: Dust version
NEC / CEC:
Class II Div 1 FG T6 Ta -40°C to +70°C
Class II Div 2 FG T6 Ta -40°C to +70°C
Class III Div 1 & 2
Zone 20, 21, 22 IIIB Ta -40°C to +70°C
- Protection concept: Ex d / AEx d





Specification

SPL (Gas version):	104dB +/-3dB @ 1W @ 1m (Pink) 118dB +/-3dB @ 25W @ 1m (Rated)
SPL (Dust version):	83dB +/-3dB @ 1W @ 1m (Pink) 97dB +/-3dB @ 25W @ 1m (Rated)
Rated power:	25 Watts RMS
70v line tappings:	25W/12.5W/6W/2W tappings (z=196 Ohms/392 Ohms/816.67 Ohms/2.45k Ohms)
Low impedance:	8 Ohm or 16 Ohm
Directivity Index:	7.6 @ 1kHz & 17.6 @ 4kHz [dB on-axis]
Frequency range:	300Hz to 8000 Hz
DC Line monitoring:	2.2µF Capacitor (Transformer) 470µF Capacitor (Low impedance)
Ingress protection:	EN60529: IP66 UL50E / NEMA250: 4 / 4X / 3R / 13
Enclosure material:	Marine grade aluminium LM6- copper free Chromated & powder coated - corrosion proof
Colour:	Red (RAL3000), Grey (RAL7038)
Cable entries:	1 x 1/2"NPT & 2 x M20 x 1.5mm 1 x 1/2"NPT & 2 x 1/2"NPT 1 x 1/2"NPT & 2 x 3/4"NPT
Terminals:	0.5 - 2.5mm ² (20-14 AWG)
Grounding stud:	M5
Operating temp:	-40° to +70°C [-40° to +158°F]
Storage temp:	-50° to +70°C [-58° to +158°F]
Relative humidity:	95% - Additional tropicalisation is recommended for applications where both high relative humidity and high ambient temperatures exist
Weight:	70V line: 4.5kg/9.9lbs Low imp.: 4.2kg/9.1lbs

Part Codes

Version:	Part code:
Product type:	D1xL2
Horn type:	F Flare reentrant horn
Type:	V070 70V Line Transformer R008 8 Ohm Low impedance R016 16 Ohm Low impedance
Cable Entry Type: [e]	A 1 x 1/2"NPT & 2 x M20 x 1.5mm B 1 x 1/2"NPT & 2 x 1/2"NPT C 1 x 1/2"NPT & 2 x 3/4"NPT
Adaptor/Stopping plug material: [m]	B Brass N Nickel Plated S Stainless Steel
Bracket material: [s]	1 A2 304 Stainless Steel 2 A4 316 Stainless Steel 3 A2 304 St/St with Equip. Tag 4 A4 316 St/St with Equip. Tag (304)
Product version: [v]	A1 Gas environments Class I/Zone1 D1 Dust environments Class II/Zone 20
Enclosure colour: [x]	G Grey RAL7038 R Red RAL3000
Example:	D1xL2FR008 [e][m][s][v][x] D1xL2FR008AB1A1R

Ratings:

A1:	Gas version
NEC / CEC:	Class I Div 1 ABCD T6 Ta -40°C to +70°C Class I Div 2 ABCD T6 Ta -40°C to +70°C Class I Zone 1 IIC T6 Ta -40°C to +70°C
D1:	Dust version
NEC / CEC:	Class II Div 1 FG T6 Ta -40°C to +70°C Class II Div 2 FG T6 Ta -40°C to +70°C Class III Div 1&2 Zone 20 IIIB Ta -40°C to +70°C