

# BExH120 'Belltronic' Explosion Proof Bell

The flameproof BExH120 Belltronic Signalling Bell is suitable for Zone 1, 2, 21 & 22 applications. Approved to IECEx, ATEX, Ex EAC and INMETRO standards. The BExH120 authentically reproduces the traditional sound of a electro-mechanical bell whilst providing a significantly higher level of performance and reliability.

The digitally stored bell recording is output via a class D amplifier achieving sound levels exceeding the performance of a mechanical bell whilst offering a continuously rated signal. The radial horn design not only physically emulates the traditional bell it also replicates the distribution of the audible signal.

## Features

- Marine grade, corrosion proof, LM6 aluminium enclosure.
- Ingress protection IP66/67
- Stainless steel fixings
- Dual M20 cable entries - adaptors available.
- Stopping plug included.
- Reverse polarity diode fitted.
- Digitally stored mechanical bell sound.
- Continuously rated.
- Maintenance free.
- Very large termination area.
- Ratchet adjustable stainless steel 'U' bracket.

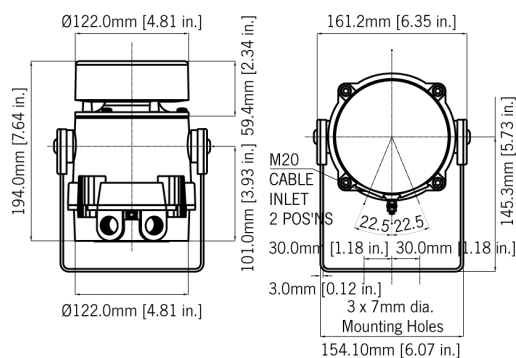
## Approvals

- IECEx KEM 10.0003X  
IEC 60079-0 : 2011  
IEC 60079-1 : 2007-4  
IEC 60079-31 : 2013
- ATEX KEMA 99ATEX6312X  
EN 60079-0 : 2012 + A11  
EN 60079-1 : 2007  
EN 60079-31 : 2014
- TR-CU Ex EAC certificate: RU C-GB.AA71.B.00109
- Safety-integrity suitability: SIL1
- Inmetro certificate: 10IEEx-0009

## Coding

- II 2G Ex d IIB T4 Ta -50° to +70°C
- II 2G Ex d IIC T4 Ta -50° to +55°C
- II 2D Ex tb IIIC T100°C Db Ta -50°C to +55°C
- II 2D Ex tb IIIC T115°C Db Ta -50°C to +70°C





## Specification

Nominal output:	106dB(A) @ 1m +/- 3dB [97dB(A) @ 10ft/3m]
Volume control:	Yes
Voltages DC:	24vdc
Voltages AC:	115vac; 230vac
Stage switching:	Negative
Ingress protection:	IP66/67
Enclosure matl:	Marine grade copper free LM6 Aluminium
Enclosure finish:	Chromate & powder coated finish - anti-corrosion.
Colour:	RAL3000 Red Grey RAL7038 Special - available on request
BExH120 horn:	High impact UL94 V0 & 5VA FR ABS
Cable entries:	Dual M20 ISO (one stopping plug inc)
Terminals:	0.5 - 2.5mm <sup>2</sup> (20-14 AWG)
Enclosure volume:	<2 litres
Line monitoring:	Blocking diode included EOL Min. 500 Ohm 2w, or 3k3 Ohm 0.5w resistor or diode (DC versions) can be fitted
Weight :	DC: 3.20kg/7.04lbs AC: 3.40kg/7.48lbs

## Part Codes

Version:	Part code:	
Product type:	BExH120	Explosion proof Belltronic
Type:	DR	Ex d, Radial omni-directional horn
Voltage:	DC024	24V dc
	AC115	115V ac
	AC230	240V ac
Cable Entry Type: [e] A	B	2 x M20x1.5mm
	C	2 x 1/2" NPT - adaptors
	D	2 x 3/4" NPT - adaptors
	E	2 x M25x1.5mm - adaptors
	F	1 x 1/2" NPT - adaptor
	G	1 x 3/4" NPT - adaptor
Note:	<i>M20 stopping plugs for unused entries supplied</i>	
Adaptor/Stopping plug material: [m]	B	Brass
	N	Nickel Plated
	S	Stainless Steel
Bracket material: [s]	1	A2 304 Stainless Steel
	2	A4 316 Stainless Steel
	3	A2 304 St/St with Equip. Tag
	4	A4 316 St/St with Equip. Tag (304)
Product version: [v] A1	Default - IECEx, ATEX, Ex EAC & INMETRO	
Enclosure colour: [x]	R	Red RAL3000
	G	Grey RAL7038
	S	Special - contact E2S

## Current Consumption

Voltage:	Current:	
24V dc		400mA
115V ac	50/60Hz	130mA
230V ac	50/60Hz	65mA

### Tonetable

<b>S 1</b>	<b>Description</b>	<b>S 2</b>	<b>S 3</b>
T 1	Industrial Hooter	T 3	T 5
T 2	High Frequency Mechanical Siren	T 1	T 5
T 3	Medium Frequency Mechanical Siren	T 1	T 5
T 4	Electro Mechanical Buzzer	T 2	T 5
T 5	Mechanical Bell	T 1	T 2