



SUPPLEMENTAL INSTRUCTION SHEET
POL-21004-S2
POINT OBSTRUCTION LIGHT
SINGLE WITH ALARM

IS21004-S2
24 April 2014
Page 1 of 4

The POL-21004-S2 is a single, steady burning obstruction light with an alarm relay and non-isolated alarm line. Upon failure of the light, the relay transfers the POL's Line voltage to the purple alarm wire. This is not an isolated alarm line; if line power fails, this alarm line fails. This alarm line is normally wired to an external alarm lamp, pilot light or other user supplied alarm. It can supply five (5) Amps maximum.

CATALOG NUMBERING SYSTEM

Point Type	- Power	Photometric Specification	- Color	- Mounting & Entries	- Style	- Options
POL-21004	1: 120V ¹ 2: 220V ² 6: 277V ³	F: FAA & ICAO B B: ICAO B & Transport Canada	R: Red	34B: ¾-inch, Bottom 10B: 1-inch, Bottom 34F: ¾-inch, Feed-thru 10F: 1-inch, Feed-thru M20B: Metric, Bottom M25B: M25, Bottom	S2: Non-Isolated Alarm	NC: NVG Compatible

IMPORTANT: THE POL FIXTURE IS FACTORY SEALED. REMOVING THE CLAMP BAND, LENS OR IN ANY WAY ENTERING THE SPACE CONTAINING THE POWER SUPPLY AND LED ARRAY WITHOUT INSTRUCTIONS FROM THE FACTORY, VOIDS THE WARRANTY AND MAY RESULT IN PREMATURE FAILURE OF THE LIGHT. THE WIRE LEADS ARE SEALED AT THE ENTRY POINT TO THE LED HEAD SUBASSEMBLY. BREAKING THE SEAL OF THE WIRES VOIDS THE WARRANTY.

ALL POL LED UNITS ARE INDIVIDUALLY TESTED AT THE FACTORY BEFORE SHIPMENT. ANY ATTEMPT TO DISASSEMBLE OR TO FIELD TEST THE FUNCTIONS OF THE LIGHT ASSEMBLY VOIDS THE WARRANTY.

WARNING: CHANGES OR MODIFICATIONS TO THIS UNIT NOT EXPRESSLY APPROVED BY THE PARTY RESPONSIBLE FOR COMPLIANCE COULD VOID THE USER'S AUTHORITY TO OPERATE THE EQUIPMENT.

WARNING: DO NOT INSTALL AIR TERMINALS (LIGHTNING RODS) NEAR OR ON ANY POINT LIGHTING FIXTURES. AIR TERMINALS WILL INCREASE THE POSSIBILITY OF FAILURES AND WILL VOID THE FACTORY WARRANTY. FIXTURE GROUND WIRES MUST NOT BE CONNECTED TO BUILDING/TOWER LIGHTNING PROTECTION SYSTEM DOWN CONNECTORS.

IMPORTANT NOTICE

The installer assumes full responsibility for the proper application and safe installation of this unit in accordance with these instructions, the National Electric Code, and all other state and local codes and practices. POINT LIGHTING CORPORATION accepts no responsibility for damages to property or injury to personnel for the improper use of this product or its failure under any circumstances. POINT LIGHTING CORPORATION's warranty is limited to the replacement of the defective unit only if the failure is the result of a manufacturing defect.



INSTALLATION INSTRUCTIONS

WARNING: TURN OFF THE ELECTRICITY AT THE SOURCE BEFORE INSTALLATION.

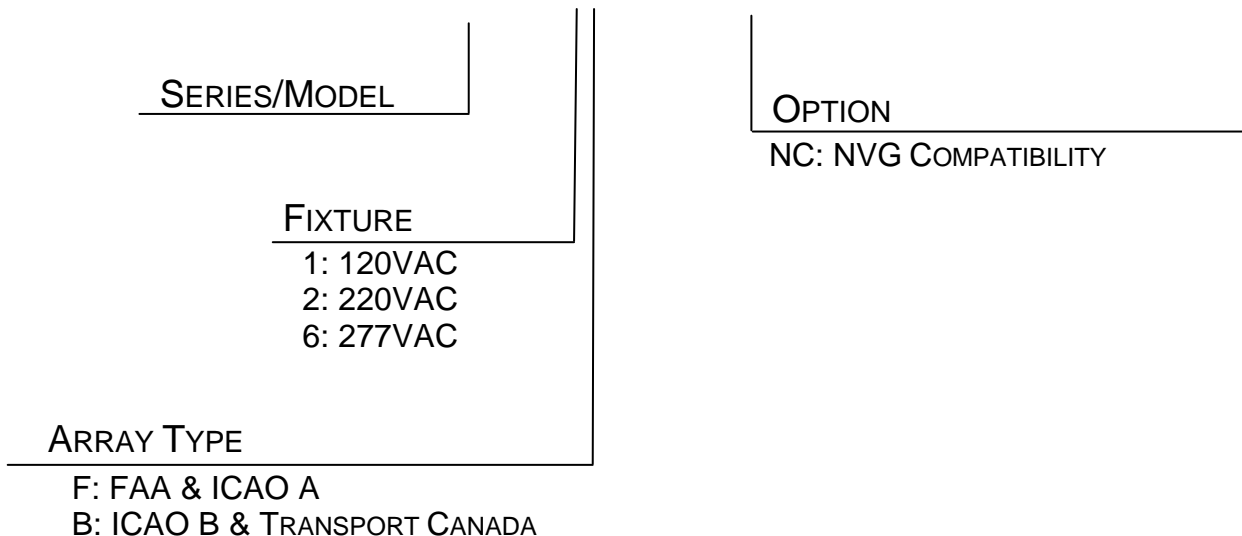
The fixture is shipped assembled. Thread the POL's hub to the properly sized conduit. The neutral (zero) wire is white. Note: For nominal 220v fixtures, the neutral (zero) wire is blue. Splice the neutral wire to the system neutral (zero). Splice the black wire to the black system line. The green/yellow wire is the fixture's ground; splice it to the system ground. Make splices using proper electrical practices in suitable splice box per NEC and local codes. The POL must be leveled so the fixture is in a vertical position with its base perpendicular to the mounting surface. If necessary, loosen the three screws that secure the upper head subassembly to the conduit, adjust the position as required and re-tighten the screws.

REPLACEMENT PARTS

PART NUMBER	DESCRIPTION	QTY
PL10799-1	Relay Alarm 120V	1
PL10799-2	Relay Alarm 220V	1
PL210R4-R-xx-04-xx	See "Replacement Head Numbering System"	1

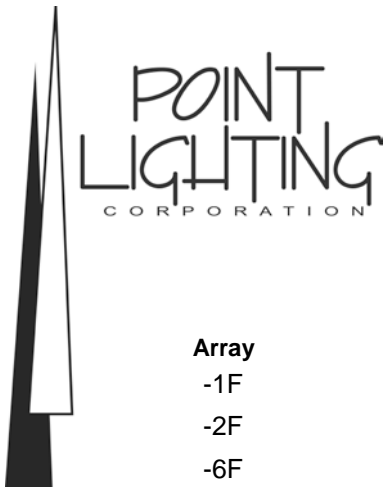
REPLACEMENT HEAD NUMBERING SYSTEM

PL210R4 – R – xx – 04 – xx



POINT LIGHTING CORPORATION

Mail: P.O. Box 686, Simsbury, CT 06070	Plant: West Dudley Town Rd, Bloomfield, CT	
Tel 01 860.243.0600	USA	Fax 01 860.243.0665
email: Info@PointLighting.com		website: www.PointLighting.com

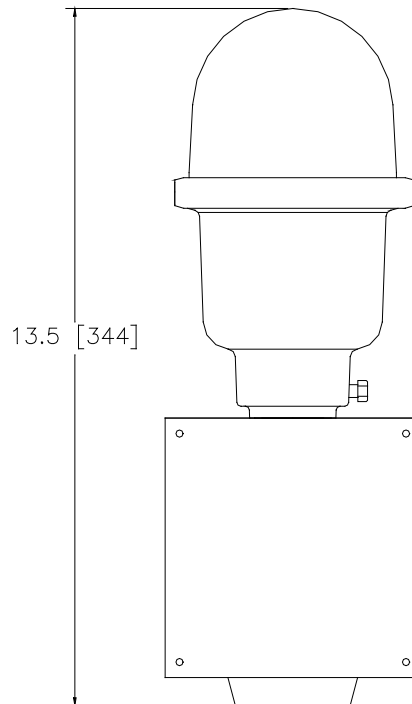


**POWER CONSUMPTION
 PER POL LED LIGHT HEAD**

Array	Type	Voltage	Watts	mA	VA
-1F	FAA & ICAO A	120	3.48	41.8	5
-2F	FAA & ICAO A	220	4.17	23.85	5.8
-6F	FAA & ICAO A	277	4.09	25.27	7
-1B	ICAO B & Transport Canada	120	6.9	63	7.6
-2B	ICAO B & Transport Canada	220	7.1	34	7.5
-6B	ICAO B & Transport Canada	277	7.5	34	9.4
-1F-NC	FAA & ICAO A -NC Option	120	4.3	40	4.8
-2F-NC	FAA & ICAO A -NC Option	220	4.5	23	5
-6F-NC	FAA & ICAO A -NC Option	277	4.9	22	6
-1B-NC	ICAO B & Transport Canada -NC Option	120	7.7	73	8.7
-2B-NC	ICAO B & Transport Canada -NC Option	220	8	38	8.4
-6B-NC	ICAO B & Transport Canada -NC Option	277	8.3	32	9

POL-21004-S2

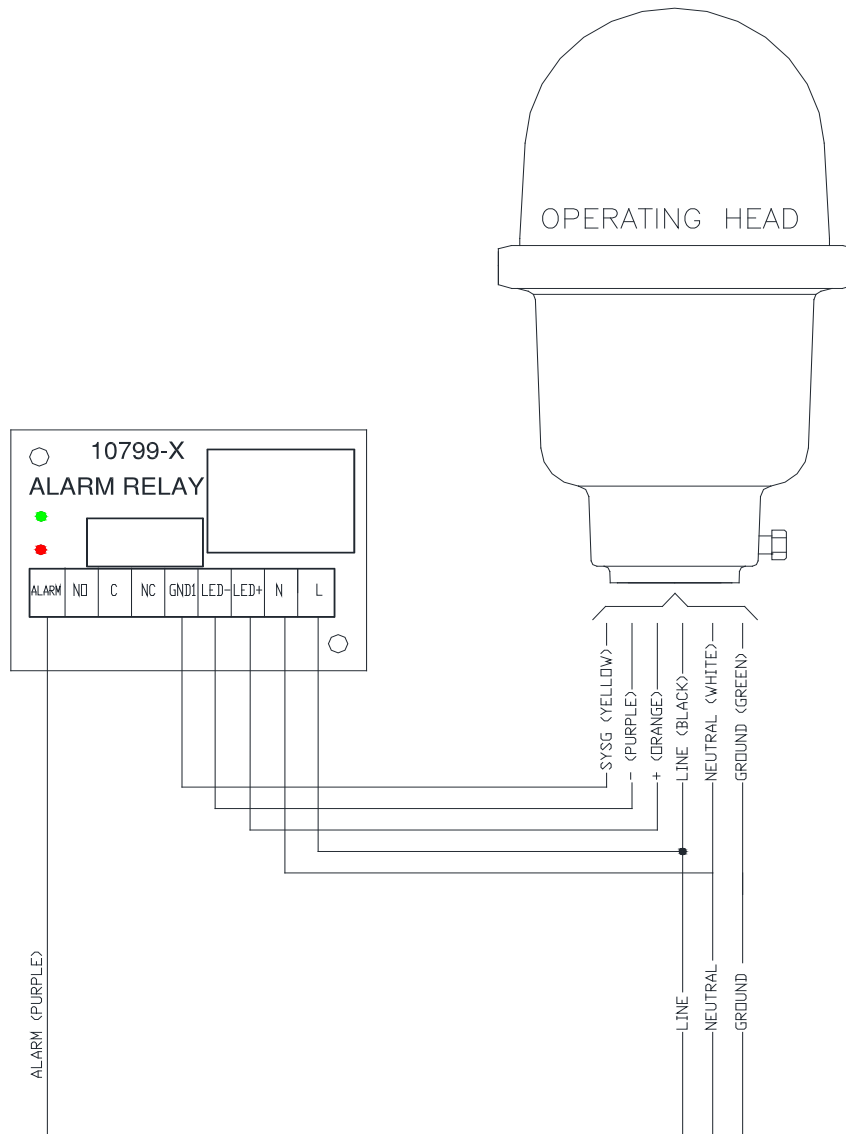
Dimensions: Inches (mm)
 Depth = 5 (127)



POINT LIGHTING CORPORATION

Mail: P.O. Box 686, Simsbury, CT 06070 Plant: West Dudley Town Rd, Bloomfield, CT
 Tel 01 860.243.0600 USA Fax 01 860.243.0665
 email: Info@PointLighting.com website: www.PointLighting.com

**WIRING DIAGRAM
POL-21004-S2**

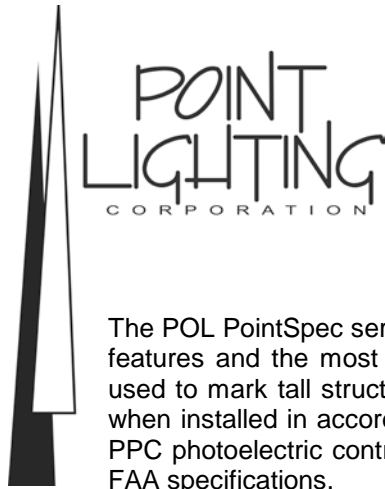


POINT LIGHTING CORPORATION

Mail: P.O. Box 686, Simsbury, CT 06070
Tel 01 860.243.0600
email: Info@PointLighting.com

Plant: West Dudley Town Rd, Bloomfield, CT
USA

Fax 01 860.243.0665
website: www.PointLighting.com



INSTRUCTION SHEET POL-21004 POINT OBSTRUCTION LIGHT

The POL PointSpec series of red LED aviation obstruction lights presents the highest grade technical features and the most options available in the industry. POL steady-burning obstruction lights are used to mark tall structures that present hazards to air navigation. At night, these lights warn pilots when installed in accordance with FAA AC 70/7460-1 and applicable FCC and ICAO rules. Use the PPC photoelectric controller or option -P to provide automatic activation at dusk in accordance with FAA specifications.

CATALOG NUMBERING SYSTEM

Point Type -	Power	Photometric Standard -	Color -	Mounting & Entries -	Options
POL-21004	1: 120v ¹ 2: 220v ² 6: 277v ³	F: FAA & ICAO A B: ICAO B &Transport Canada	R: Red	34B: 3/4-inch NPT Bottom 10B: 1-inch NPT Bottom	-S: Single -NC: NVG Compatible -MT: Marine Treatment
Note 1: 120 VAC 50/60 Hz (+/- 20%)		Note 2: 220 VAC 50/60 Hz (176-250V)		Note 3: 277 VAC 50/60 Hz (+/-5%)	

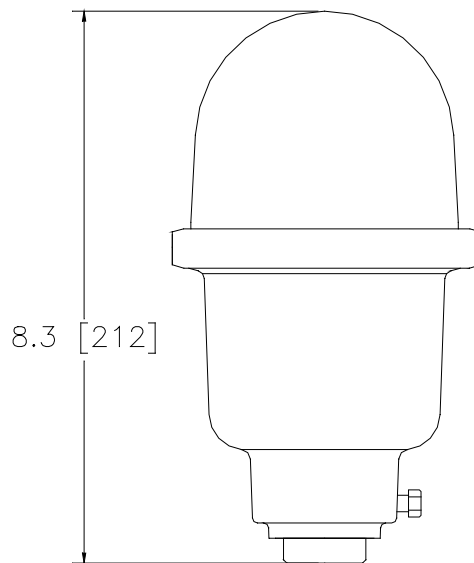


CONFORMS TO:
UL STD 1598
UL STD 1598A
CERTIFIED TO:
CSA STD C22.2 No. 250.0

POINT OBSTRUCTION LIGHT
POL-21004-1F-R-34B-S



OUTLINE DRAWING
POL-21004-1F-34B-S



IMPORTANT NOTICE

The installer assumes full responsibility for the proper application and safe installation of this unit in accordance with these instructions, the National Electric Code, and all other state and local codes and practices. POINT LIGHTING CORPORATION accepts no responsibility for damages to property or injury to personnel for the improper use of this product or its failure under any circumstances. POINT LIGHTING CORPORATION's warranty is limited to the replacement of the defective unit only if the failure is the result of a manufacturing defect.



WARNING: TURN OFF THE ELECTRICITY AT THE SOURCE BEFORE INSTALLATION.

IMPORTANT: THE POL FIXTURE IS FACTORY SEALED. REMOVING THE CLAMP BAND, LENS OR IN ANY WAY ENTERING THE SPACE CONTAINING THE POWER SUPPLY AND LED ARRAY WITHOUT INSTRUCTIONS FROM THE FACTORY, VOIDS THE WARRANTY AND MAY RESULT IN PREMATURE FAILURE OF THE LIGHT. THE WIRE LEADS ARE SEALED AT THE ENTRY POINT TO THE LED HEAD SUBASSEMBLY. BREAKING THE SEAL OF THE WIRES VOIDS THE WARRANTY.

ALL POL LED UNITS ARE INDIVIDUALLY TESTED AT THE FACTORY BEFORE SHIPMENT. ANY ATTEMPT TO DISASSEMBLE OR TO FIELD TEST THE FUNCTIONS OF THE LIGHT ASSEMBLY VOIDS THE WARRANTY.

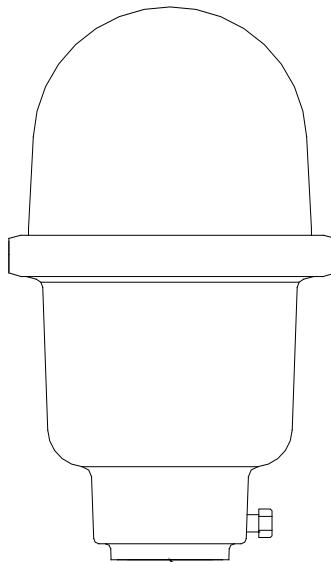
WARNING: CHANGES OR MODIFICATIONS TO THIS UNIT NOT EXPRESSLY APPROVED BY THE PARTY RESPONSIBLE FOR COMPLIANCE COULD VOID THE USER'S AUTHORITY TO OPERATE THE EQUIPMENT.

WARNING: DO NOT INSTALL AIR TERMINALS (LIGHTNING RODS) NEAR OR ON ANY POINT LIGHTING FIXTURES. AIR TERMINALS WILL INCREASE THE POSSIBILITY OF FAILURES AND WILL VOID THE FACTORY WARRANTY. FIXTURE GROUND WIRES MUST NOT BE CONNECTED TO BUILDING/TOWER LIGHTNING PROTECTION SYSTEM DOWN CONNECTORS.

INSTALLATION INSTRUCTIONS

1) The fixture is shipped assembled. Thread the POL's hub to the properly sized conduit.

OUTLINE DRAWING



BOTTOM HUB
-34B: 3/4-INCH NPT
-10B: 1-INCH NPT

POINT LIGHTING CORPORATION

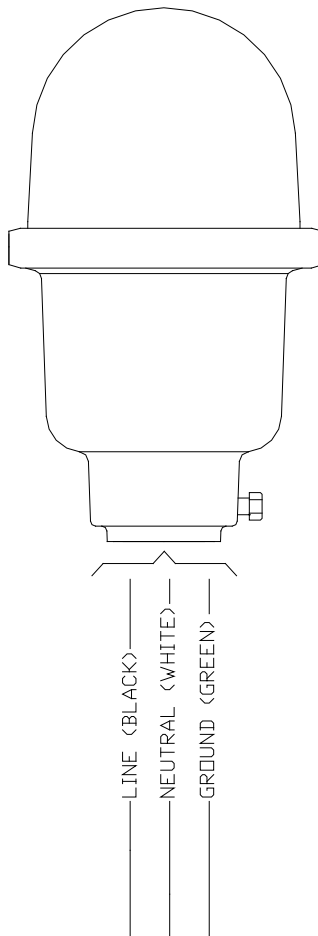
Mail: P.O. Box 686, Simsbury, CT 06070
Tel 01 860.243.0600
email: Info@PointLighting.com

Plant: West Dudley Town Rd, Bloomfield, CT
USA

Fax 01 860.243.0665
website: www.PointLighting.com

2) Electrical connections are to be performed in a suitable junction box. The neutral (zero) wire is white. Note: For nominal 220V fixtures, the neutral (zero) wire is blue. Splice the neutral wire to the system neutral (zero). Splice the black wire to the black system line. The green/yellow wire is the fixture's ground; splice it to the system ground. Make splices using proper electrical practices in suitable splice box per NEC and local codes.

WIRING DIAGRAM



3) The POL must be leveled so the lamp is in a vertical position base-down perpendicular to the mounting surface. If necessary, loosen the three screws that secure the upper head subassembly to the conduit, adjust the position as required and retighten the screws.

POINT LIGHTING CORPORATION

Mail: P.O. Box 686, Simsbury, CT 06070

Tel 01 860.243.0600

email: Info@PointLighting.com

Plant: West Dudley Town Rd, Bloomfield, CT

USA

Fax 01 860.243.0665

website: www.PointLighting.com



**POWER CONSUMPTION
PER POL LED LIGHT HEAD**

Array	Type	Voltage	Watts	mA	VA
-1F	FAA & ICAO A	120	3.48	41.8	5
-2F	FAA & ICAO A	220	4.17	23.85	5.8
-6F	FAA & ICAO A	277	4.09	25.27	7
-1B	ICAO B & Transport Canada	120	6.9	63	7.6
-2B	ICAO B & Transport Canada	220	7.1	34	7.5
-6B	ICAO B & Transport Canada	277	7.5	34	9.4
-1F-NC	FAA & ICAO A –NC Option	120	4.3	40	4.8
-2F-NC	FAA & ICAO A –NC Option	220	4.5	23	5
-6F-NC	FAA & ICAO A –NC Option	277	4.9	22	6
-1B-NC	ICAO B & Transport Canada –NC Option	120	7.7	73	8.7
-2B-NC	ICAO B & Transport Canada –NC Option	220	8	38	8.4
-6B-NC	ICAO B & Transport Canada –NC Option	277	8.3	32	9

POINT LIGHTING CORPORATION

Mail: P.O. Box 686, Simsbury, CT 06070 Plant: West Dudley Town Rd, Bloomfield, CT
 Tel 01 860.243.0600 USA Fax 01 860.243.0665
 email: Info@PointLighting.com website: www.PointLighting.com