

# Ex radio position switches

## // Series Ex RF 335

### Features/options

- Ex zone 1 and 2, as well as 21 and 22
- Metal enclosure
- To EN 50041
- Output signal can be individually configured at the receiver
- EnOcean-protocol
- Data rate 120 kbps
- No power supply, no wiring and pipe laying required
- Multi-network capable
- Easy programming of receiver

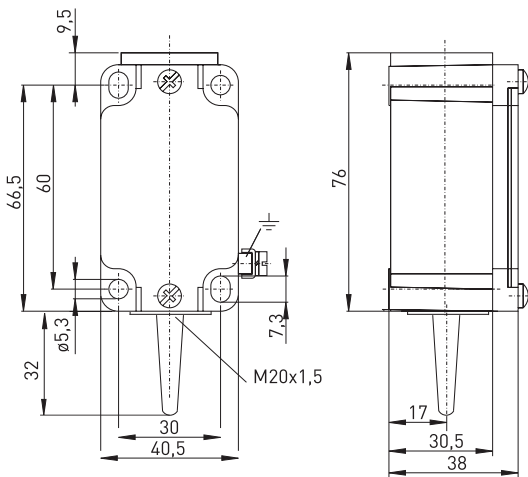
## // EX RF 335



## Technical Data

<b>Standards</b>	EN 60947-5-1, EN 61000-6-2, EN 301 489-1, EN 301 489-3, EN 300 220-3; EN 60079-0, EN 60079-11, EN 61241-11
<b>Enclosure</b>	Zinc die-cast, enamelled
<b>Cover</b>	steel, enamelled
<b>Degree of protection</b>	IP 67 per EN 60529
<b>Protocol</b>	EnOcean
<b>Ambient temperature Ta</b>	-20 °C ... +60 °C
<b>Switching frequency</b>	approx. 6000 telegrams at repetitions/h
<b>Voltage supply</b>	Electrodynamic energy generator
<b>Frequency</b>	868.3 MHz
<b>Transmission power</b>	max. 10 mW
<b>Data rate</b>	120 kbps
<b>Bandwidth channel</b>	280 kHz
<b>Sensing range</b>	max. 300 m outside, max. 30 m inside
<b>Actuating time</b>	min. 80 ms
<b>Mechanical life</b>	> 1 million operations
<b>Note</b>	no presence signal available
<b>Ex marking</b>	⊕ II 2G Ex ib IIC T6 Gb, II 2D Ex ib IIIC T80°C Db IECEx Ex ib IIC T6 Gb, Ex ib IIIC T80°C Db
<b>Approvals</b>	BVS 09 ATEX E 003; IECEx BVS 09.0001

22



### Type code

Ex RF 335 S EN868

Radio frequency 868 MHz  
EnOcean standard  
Actuator R (S, 1 K, 3 K etc. ...)  
Series  
Radio technology  
Ex certified component

# Ex radio position switches

## // Series Ex RF 335, actuators

### Features/options

#### Plunger S

- Actuator type B to DIN EN 50 041
- Ex RF 335 S EN868 order No. 93901301

#### Roller plunger R

- Actuator type C to DIN EN 50 041
- Ex RF 335 R EN868 order No. 93909301

#### Roller lever 1K

- Actuation parallel to switch from right, not from left side!
- Ex RF 335 1K EN868 o.No. 93913301

#### Angled roller lever 3K

- Actuation parallel to switch from below
- Ex RF 335 3K EN868 order No. 93919301

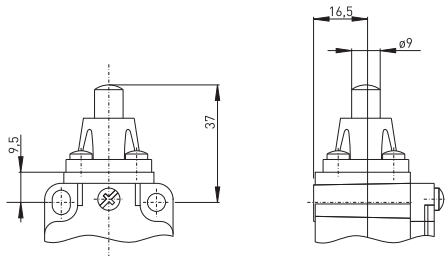
#### Rocking roller lever 4VH

- Actuator type A to DIN EN 50 041
- Ex RF 335 4VH EN868 order No. 93921301

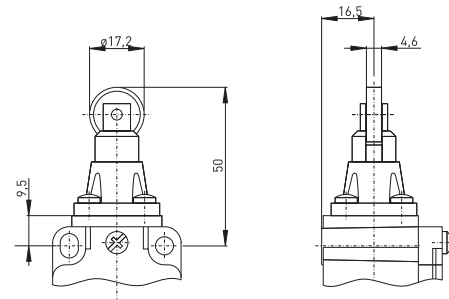
#### Long rocking roller lever 4V3H

- Ex RF 335 4V3H EN868 order No. 93923301

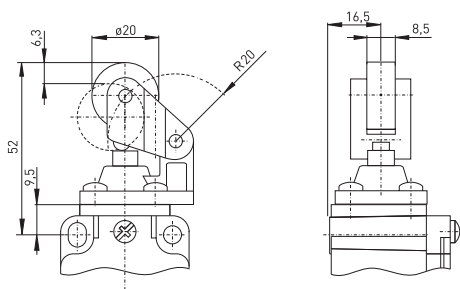
### // Plunger S



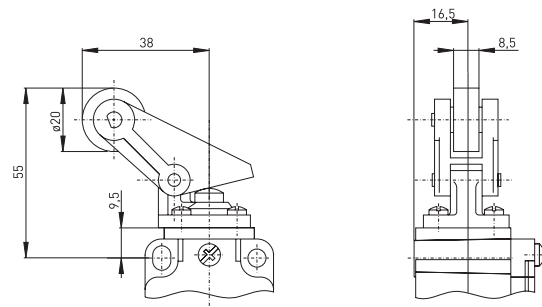
### // Roller plunger R



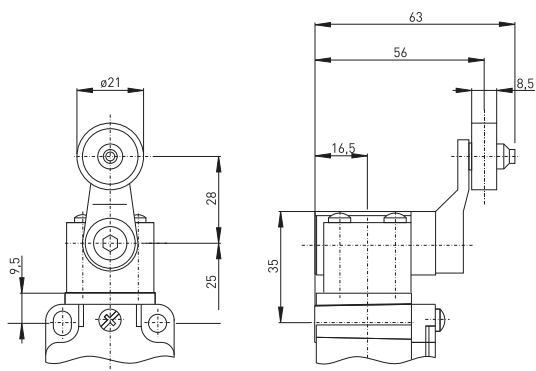
### // Roller lever 1K



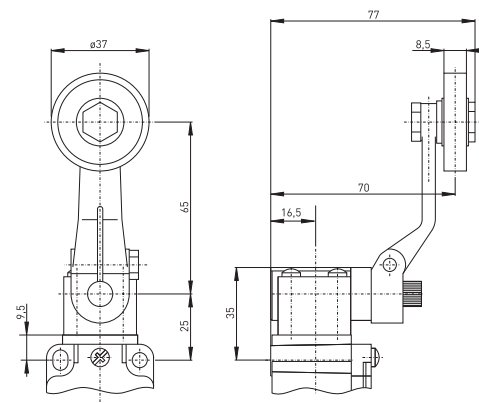
### // Angled roller lever 3K



### // Rocking roller lever 4VH



### // Long rocking roller lever 4V3H



# Ex radio position switches

## // Series Ex RF 335, actuators

### Merkmale/Optionen

#### Adjustable rocking roller lever 4V7H

- Thermoplastic roller, actuator head can be repositioned by 4 x 90°
- Ex RF 335 4V7H EN868 order No. 93929301

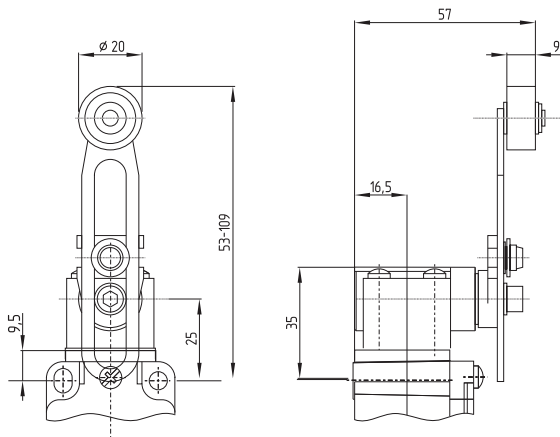
#### Forked lever latching 3V4D

- Thermoplastic roller, actuator head can be repositioned by 4 x 90°
- Ex RF 335 3V4D EN868 order No. 93967301

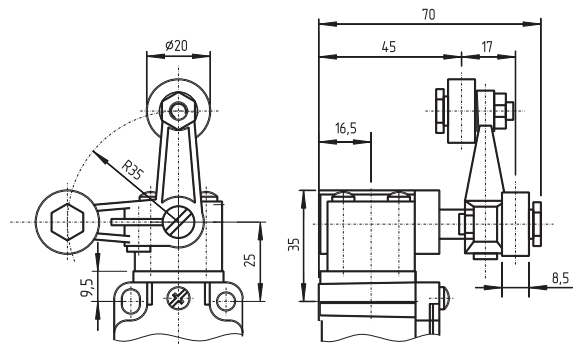
#### Rod lever 4V10H

- Actuator type D to EN 50041
- Ex RF 335 4V10H EN868 order No. 93925301

### // Adjustable rocking lever 4V7H



### // Forked lever latching 3V4D



24

### // Rod lever 4V10H

