

# 1

# SX

**Stainless Steel and Mild Steel Enclosures**

SX Range

1

BFG Range

2

BPGA Range

3

ZAG Range

4

High Voltage

5

Fire Rated

6

ZP Range

7

Others

8

Technical

9

Further details on this range of enclosures can be found at;

[www.ab-tech.co.uk/sx.htm](http://www.ab-tech.co.uk/sx.htm)

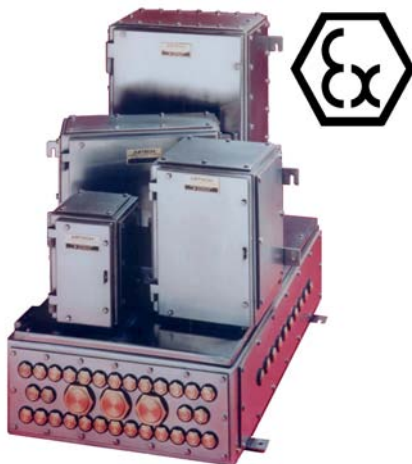


## Stainless Steel and Mild Steel Enclosures

1

SX Range

The SX range comprises 14 sizes of enclosure manufactured in either mild steel or stainless steel. 11 sizes are available in depths of 140 or 200mm and 8 sizes are available in depths of 140, 200 or 300mm. The majority of the range can be fitted with removable gland plates on any or all of the four sides. The mild steel version (MSX) is available with a number of paint options (most RAL colours are available) and anti-corrosion finishes. Further advice on surface finishes can be sought from the ABTECH sales office.



The stainless steel range (SSX) is manufactured in 316 grade stainless steel to give the maximum environmental protection. The main body is manufactured from 2mm thick sheet and the mounting straps and gland plates from 3mm thick plate. Cable entries can be drilled in the enclosure door or sides or through the gland plates, if fitted. Entries may also be drilled through the rear face of the enclosure (EE'x'e' versions also.)

Another important feature of the SX range is the hinged, lift-off door, which is held to the enclosure by at least 4 captive stainless steel screws, which also maintain the correct compression on the gasket. The hinges are solid block, machined oversize to enable the screws to control the closing of the door, not the hinge, its only function being to support the door when opened. The hinges allow easy removal of the door with only minimal opening required before removal (less than 10°).

Earthing is accomplished by means of an Internal / external earth stud fitted as standard which can be connected to the terminal mounting rail or component mounting plate. Optionally, earth studs can be fitted to the door and gland plates. Rail mounted earth terminals or proprietary earth bars can be fitted inside the enclosure and ABTECH Sales staff will be happy to advise on this. When fitted with a standard neoprene gasket, the enclosure is suitable for ambient temperatures of - 40°C to + 80°C (-40°F to +176°F). Alternatively, when fitted with an optional silicone gasket the temperature range is increased to - 70°C to + 130°C (-94°F to +266°F).

The SX range of enclosures are suitable for use in hazardous areas and can be supplied with a number of certificates. ATEX EE'x'e' to BS EN 50019 (Zone 1 & 2) EE'x'nA' to BS EN50021 (Zone 2) and NEMA 4X (CSA, UL & FM class 1, div 2) and GOST.



The SX range can be supplied fitted with any component approved terminal to apparatus level or can be supplied empty as component approved for the clients own certification requirements.

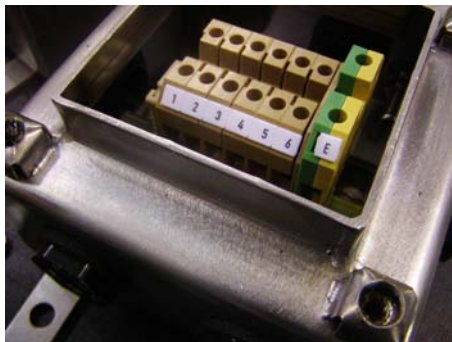
The SX range was specifically designed to meet the rigours of the North Sea environment and is capable of achieving IP66 and IP67. It has also undergone and passed the Shell/ERA deluge test which was devised to adequately test enclosures and electrical equipment which is routinely subjected to ships deck conditions or fire deluge systems.

IP68 enclosures are also available for depths up to 120 ft to special order. Further information on submersible enclosures is available in Section 8 of this catalogue.



The SX range has many features which lend itself to a wide variety applications, not least of which is the ability to be constructed to almost any dimension due to its fabricated nature. This can also be applied to EEx'e' enclosures where the certification allows oversize enclosures to be manufactured whilst retaining the next smallest sized enclosure's power rating.

The SX range is also suitable for fire resistance applications and when fitted with ceramic terminals meets the requirements of IEC 331 (750°C (1382°F) for 3 hours) and also BS6387/1983 (950°C (1742°F) for 3 hours). Further details are available in Section 6 of this catalogue.



Other applications include junction boxes, both industrial and hazardous area, OEM applications, fire protection systems, tunnel wiring, IP68 applications, etc.

A video demonstrating the main features of the SX range is available on our website, please visit [www.ab-tech.co.uk/sx.htm](http://www.ab-tech.co.uk/sx.htm)

#### SX Range Features

- Wide Operating Temperature (-70°C to +175°C) (-94°F to +347°F)
- Ingress Protection up to IP68
- Fire Resistant to IEC331
- Impact Resistant > 10 Nm
- Corrosion Resistant
- Gland plates can be fitted to any or all four sides (size SX66 and above)
- Certification for use in Zone 1 and 2
- UL, CSA, IECEx, ATEX, FM, InMetro and GOST Approvals
- Ideal for Petrochemical and Marine applications

SX Range

1

BPG Range

2

BPGA Range

3

ZAG Range

4

High Voltage

5

Fire Rated

6

ZP Range

7

Others

8

Technical

9

Accessories and Options

1

SX Range

The following table is a list of the available accessories suitable for particular standard sizes of SX enclosures. Care should be taken when ordering accessories for use with enclosures intended for hazardous areas to ensure that compliance with certification is retained.

Part Number (see note 1)	Width (mm) (see note 2)	Height (mm) (see note 2)	Depth (mm) (see note 2)	140mm Depth	200mm Depth	300mm Depth	Gland Plates (on any or all four sides)	EP – Electro-polished external surfaces (SX range only)	LB - Label Bracket Welded to Door	ES - Earth Stud fitted to Door and Gland Plates	EB - Internal Earthing Bar	SIL - Silicone Gasket (see note 3)	BD - Breather Drain (see note 4)	TP - Tamper Proof Lid Fixing Screws	MP - Component Mounting Plate (Steel/Stainless Steel)	RF – RFI Protection (see note 5)
SX45	114	114	51	✗	✗	✗	✗	✓	✓	✗	✗	✓	✓	✓	✓	✓
SX64	102	152	63	✗	✗	✗	✗	✓	✓	✗	✗	✓	✓	✓	✓	✓
SX66	152	152	102	✗	✗	✗	✓	✓	✓	✓	✓	✓	✓	✓	✓	✓
SX0	152	229	-	✓	✓	✗	✓	✓	✓	✓	✓	✓	✓	✓	✓	✓
SX0.5	184	274	-	✓	✓	✗	✓	✓	✓	✓	✓	✓	✓	✓	✓	✓
SX1	234	324	-	✓	✓	✗	✓	✓	✓	✓	✓	✓	✓	✓	✓	✓
SX1.5	306	306	-	✓	✓	✓	✓	✓	✓	✓	✓	✓	✓	✓	✓	✓
SX2	372	324	-	✓	✓	✓	✓	✓	✓	✓	✓	✓	✓	✓	✓	✓
SX3	372	448	-	✓	✓	✓	✓	✓	✓	✓	✓	✓	✓	✓	✓	✓
SX4	372	510	-	✓	✓	✓	✓	✓	✓	✓	✓	✓	✓	✓	✓	✓
SX5	510	510	-	✓	✓	✓	✓	✓	✓	✓	✓	✓	✓	✓	✓	✓
SX6	510	780	-	✓	✓	✓	✓	✓	✓	✓	✓	✓	✓	✓	✓	✓
SX7	650	950	-	✓	✓	✓	✓	✓	✓	✓	✓	✓	✓	✓	✓	✓
SX8	800	1250	-	✓	✓	✓	✓	✓	✓	✓	✓	✓	✓	✓	✓	✓

Ordering Example;

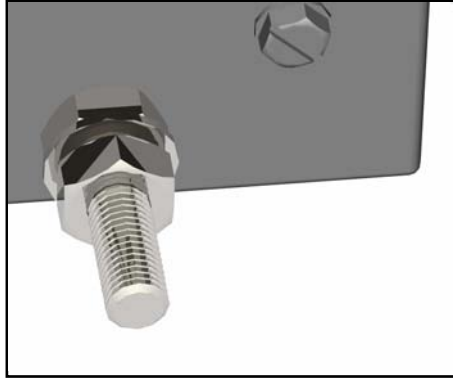
**SX1.5 300 4GP LB EB**

(Stainless Steel SX1.5 300mm deep, 4 gland plates, label bracket on door and internal earthing bar)

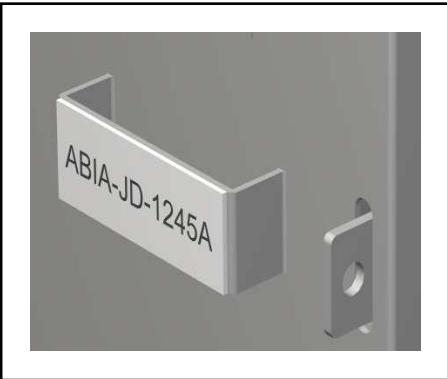
1. The range is available either in stainless steel 316 (SX variants) or mild steel (MSX variants).
2. Manufacturing tolerances are +/- 3mm on overall dimensions and +/-0.5mm on fixing hole centres.
3. Silicone gasket increases temperature rating (-70° to +175° C) (-94°F to +347°F) and may increase working life in some applications.
4. Breather drain available in IP66 stainless steel or plastic.
5. Radio Frequency Interference (RFI) gasket may reduce IP rating.



Full width, full height Gland Plates  
(can be fitted to any or all sides)



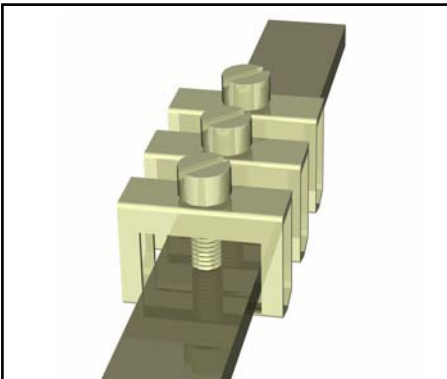
Earth Stud fitted to door and gland plates



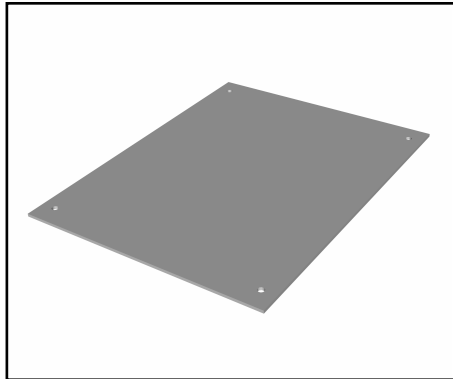
Label Bracket  
(welded to door)



Electro-polished  
(external surfaces on SX range only)



Internal Earthing bar  
(can be fitted with clamps)

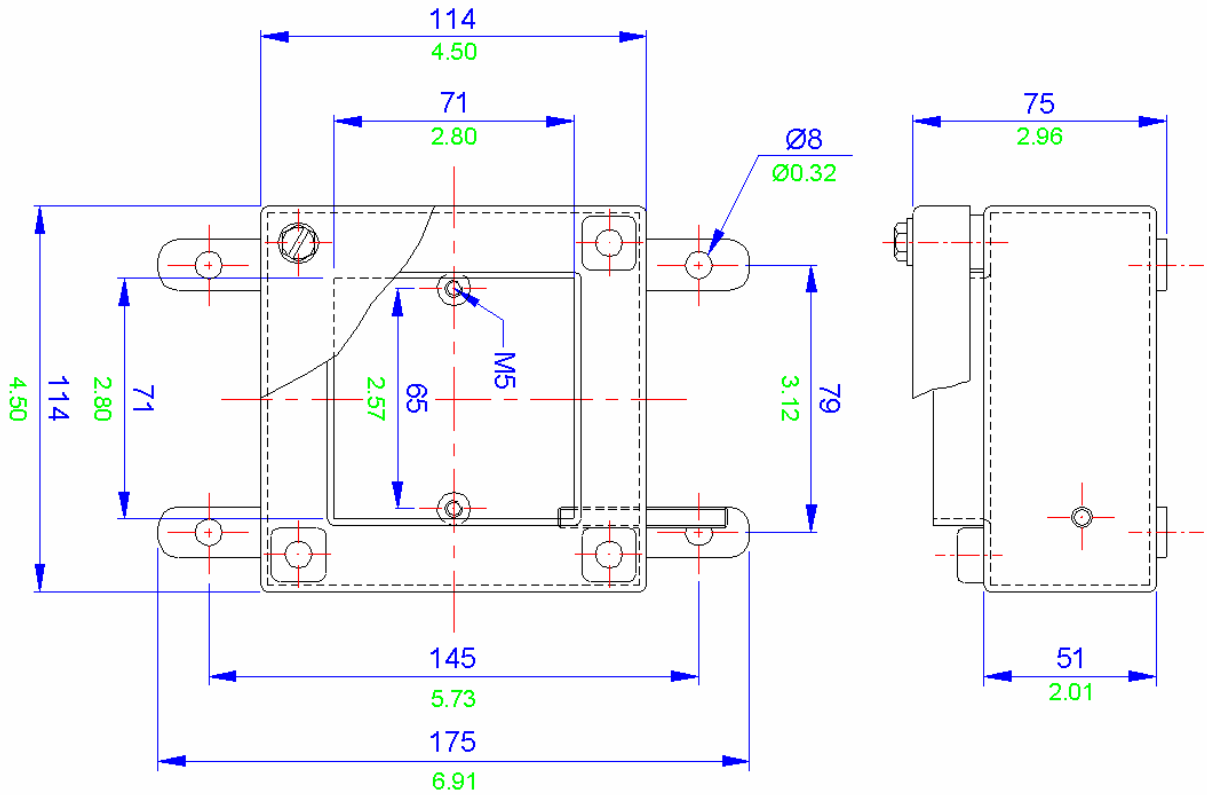


Component Mounting Plate  
(steel or stainless steel 316)

- SX Range **1**
- BPG Range **2**
- BPGA Range **3**
- ZAG Range **4**
- High Voltage **5**
- Fire Rated **6**
- ZP Range **7**
- Others **8**
- Technical **9**

We also supply cable glands, stopping plugs, breather drains and continuity plates.  
Please contact us for further details.

MSX 45 / SSX 45 Drawing



All blue dimensions in mm, all green dimensions in decimal inches (drawing not to scale)

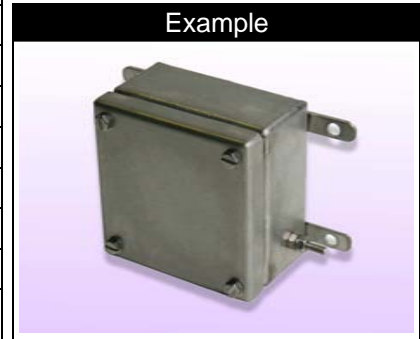
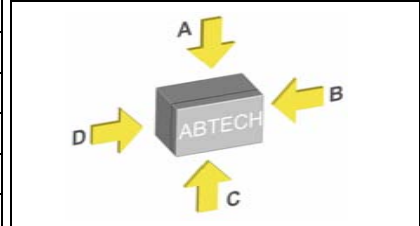
MSX 45 / SSX 45 Specifications	
Width	114mm
Length	114mm
Depth	51mm
Material	Mild steel
	Stainless steel 316 (1.4404)
Weight	1200g
IP Rating	66 or 67
Temperature	-40° to 80° C (-40°F to +176°F) (standard neoprene gasket)
	-70° to 130° C (-94°F to +266°F) (silicone gasket)
Certification	ATEX EEx e (Zone 1 & Zone 2) BS EN 60079-7
	ATEX EEx nA (Zone 2) BS EN 60079-15
	ATEX EEx nR (Zone 2) BS EN 60079-15
	CSA - Ex e (Class 1 Zone 1 & Zone2)
	FM - AEx e (Class 1 Zone 1 & Zone2)
	GOST-R Ex e (Zone 1 & Zone 2)
	NEMA 4X (CSA, UL & FM) (class 1 division 2)
Power Rating	8.0W

Terminal Populations			
Maximum Number of Rows			1
<b>Weidmuller</b>		<b>Wago</b>	
SAK 2.5	7	280-992	8
SAK 4	7	280-999	0
SAK 6	5	281-691	7
SAK 10 *	4	281-992	7
SAK 16 *	3	281-993	0
SAK 35	0	282-691	0
SAK 70	0	284-691	0
WDU 2.5	0	283-691	0
WDU 4	0	285-691	0
WDU 6	0	280-998	8
WDU 10	0	281-998	0
<b>Phoenix</b>		264-220	4
UK 2.5 N	9	264-132 (2)	1
UK 3 N	9	264-134 (4)	1
UK 5 N	7	262-132 (2)	1
UK 10 N *	4	262-134 (4)	1
UK 16 N *	3		
UK 35 N	0		

\* Care must be taken to ensure that the size of this enclosure can accommodate the cable bending radius.

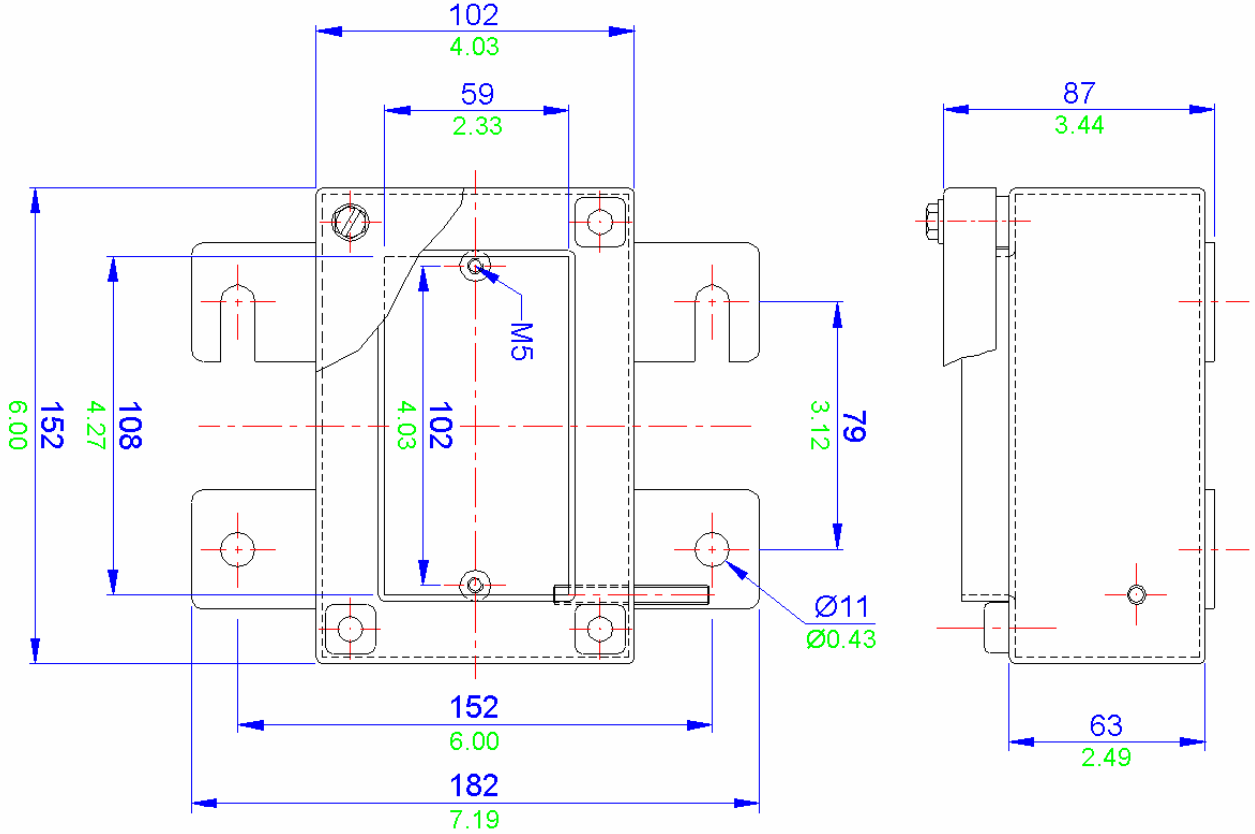
Cable Gland Entry Matrix		
Entry Size	Side A-C	Side B-D
M16	4	4
M20	2	2
M25	2	2
M32	0	0
M40	0	0

Drilling Envelope	
Side A-C	114 x 51mm
Side B-D	114 x 51mm



Technical 9	Others 8	ZP Range 7	Fire Rated 6	High Voltage 5	ZAG Range 4	BPGA Range 3	BPG Range 2	SX Range 1
----------------	-------------	---------------	-----------------	-------------------	----------------	-----------------	----------------	---------------

MSX 64 / SSX 64 Drawing



All blue dimensions in mm, all green dimensions in decimal inches (drawing not to scale)



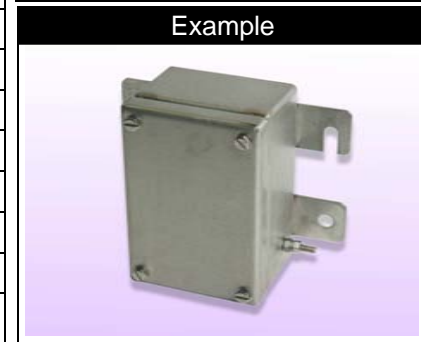
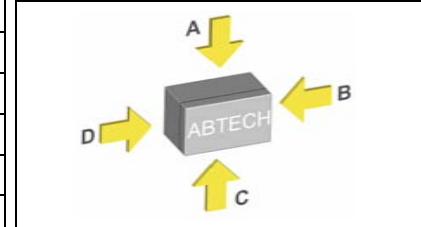
MSX 64 / SSX 64 Specifications	
Width	102mm
Length	152mm
Depth	63mm
Material	Mild steel
	Stainless steel 316 (1.4404)
Weight	1500g
IP Rating	66 or 67
Temperature	-40° to 80° C (-40°F to +176°F) (standard neoprene gasket)
	-70° to 130° C (-94°F to +266°F) (silicone gasket)
Certification	ATEX EEx e (Zone 1 & Zone 2) BS EN 60079-7
	ATEX EEx nA (Zone 2) BS EN 60079-15
	ATEX EEx nR (Zone 2) BS EN 60079-15
	CSA - Ex e (Class 1 Zone 1 & Zone2)
	FM - AEx e (Class 1 Zone 1 & Zone2)
	GOST-R Ex e (Zone 1 & Zone 2)
	NEMA 4X (CSA, UL & FM) (class 1 division 2)
Power Rating	10.258W

Terminal Populations			
Maximum Number of Rows			1
Weidmuller		Wago	
SAK 2.5	15	280-992	18
SAK 4	15	280-999	0
SAK 6	11	281-691	15
SAK 10 *	9	281-992	15
SAK 16 *	0	281-993	0
SAK 35	0	282-691	0
SAK 70	0	284-691	0
WDU 2.5	0	283-691	0
WDU 4	0	285-691	0
WDU 6	0	280-998	18
WDU 10	0	281-998	15
WDU 16	0	264-120	15
Phoenix		264-220	9
UK 2.5 N	17	264-132 (2)	3
UK 3 N	17	264-134 (4)	2
UK 5 N	15	262-132 (2)	3
UK 10 N *	9	262-134 (4)	2
UK 16 N *	7		
UK 35 N	0		

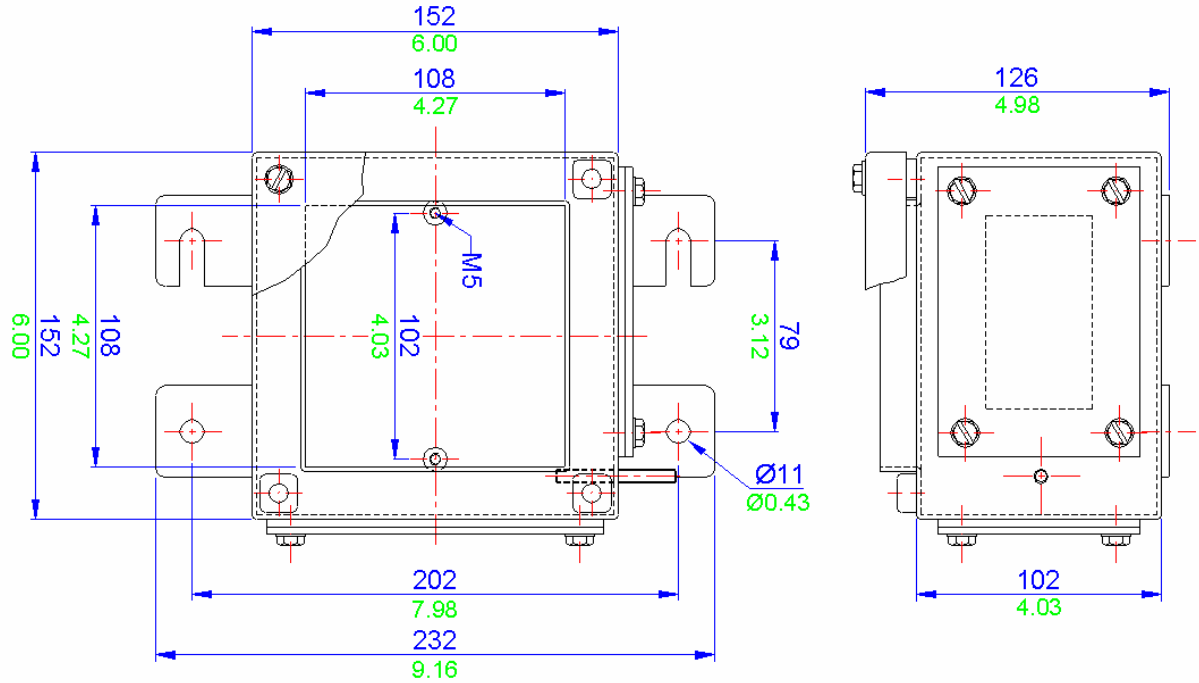
\* Care must be taken to ensure that the size of this enclosure can accommodate the cable bending radius.

Cable Gland Entry Matrix		
Entry Size	Side A-C	Side B-D
M16	6	8
M20	3	4
M25	2	3
M32	1	2
M40	0	0

Drilling Envelope	
Side A-C	102 x 63mm
Side B-D	152 x 63mm



MSX 66 / SSX 66 Drawing



All blue dimensions in mm, all green dimensions in decimal inches (drawing not to scale)

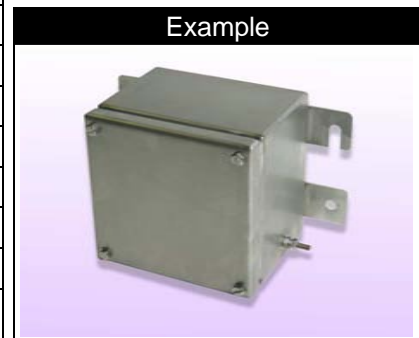
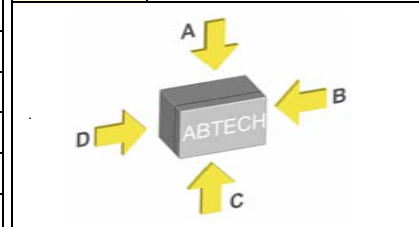
MSX 66 / SSX 66 Specifications	
Width	152mm
Length	152mm
Depth	102mm
Material	Mild steel
	Stainless steel 316 (1.4404)
Weight	2200g
IP Rating	66 or 67
Temperature	-40° to 80° C (-40°F to +176°F) (standard neoprene gasket)
	-70° to 130° C (-94°F to +266°F) (silicone gasket)
Certification	ATEX EEx e (Zone 1 & Zone 2) BS EN 60079-7
	ATEX EEx nA (Zone 2) BS EN 60079-15
	ATEX EEx nR (Zone 2) BS EN 60079-15
	CSA - Ex e (Class 1 Zone 1 & Zone 2)
	FM - AEx e (Class 1 Zone 1 & Zone2)
	GOST-R Ex e (Zone 1 & Zone 2)
	NEMA 4X (CSA, UL & FM) (class 1 division 2)
Power Rating	14.287W

Terminal Populations			
Maximum Number of Rows			1
Weidmuller		Wago	
SAK 2.5	15	280-992	18
SAK 4	15	280-999	18
SAK 6	11	281-691	15
SAK 10 *	9	281-992	15
SAK 16 *	7	281-993	15
SAK 35 *	6	282-691	11
SAK 70	0	284-691	10
WDU 2.5	17	283-691	7
WDU 4	15	285-691	0
WDU 6	11	280-998	18
WDU 10 *	9	281-998	15
WDU 16 *	7	264-120	16
Phoenix		264-220	10
UK 2.5 N	17	264-132 (2)	3
UK 3 N	17	264-134 (4)	2
UK 5 N	14	262-132 (2)	3
UK 10 N *	9	262-134 (4)	2
UK 16 N *	7		
UK 35 N *	6		

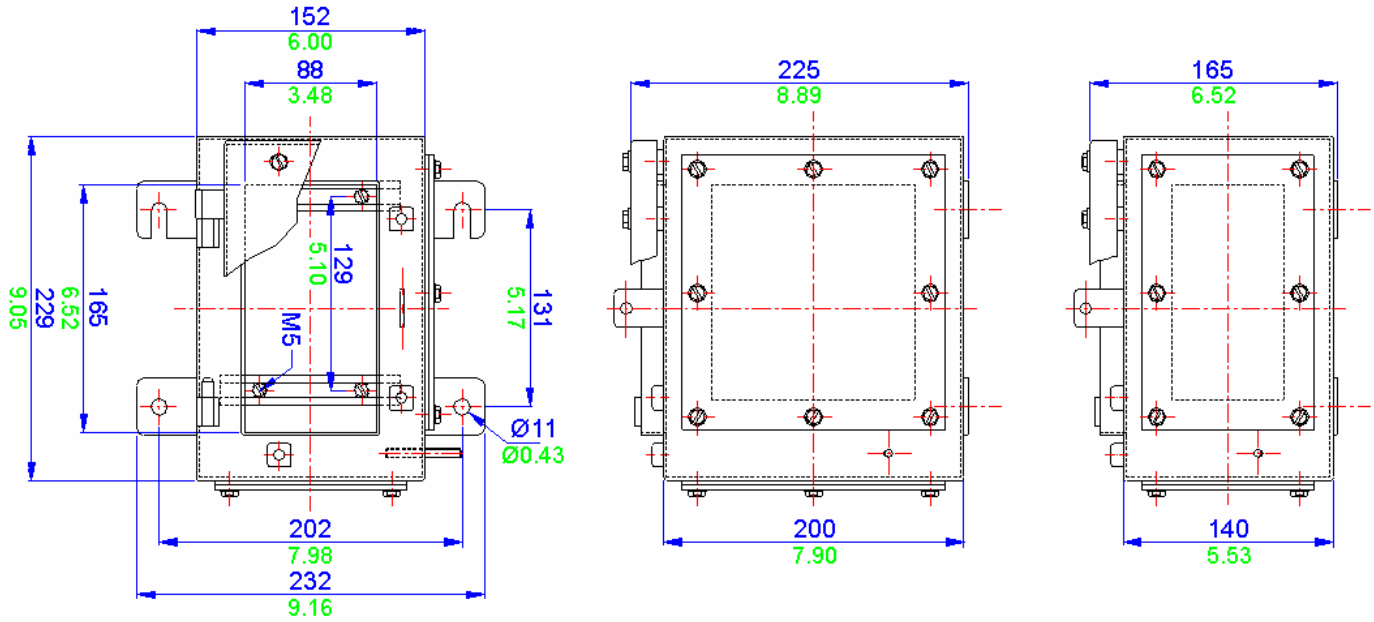
\* Care must be taken to ensure that the size of this enclosure can accommodate the cable bending radius.

Cable Gland Entry Matrix		
Entry Size	Side A-C	Side B-D
M16	14	14
M20	8	8
M25	6	6
M32	3	3
M40	2	2

Drilling Envelope	
Side A-C	152 x 102mm
Side B-D	152 x 102mm



MSX 0 / SSX 0 Drawing



All blue dimensions in mm, all green dimensions in decimal inches (drawing not to scale)

### MSX 0 / SSX 0 Specifications

Width	152mm	
Length	229mm	
Depth	140mm or 200mm	
Material	Mild steel	
	Stainless steel 316 (1.4404)	
Weight	140mm deep 3200g	200mm deep 4000g
	IP Rating 66 or 67	
Temperature	-40° to 80° C (-40°F to +176°F) (standard neoprene gasket)	
	-70° to 130° C (-94°F to +266°F) (silicone gasket)	
Certification	ATEX EEx e (Zone 1 & Zone 2) BS EN 60079-7	
	ATEX EEx nA (Zone 2) BS EN 60079-15	
	ATEX EEx nR (Zone 2) BS EN 60079-15	
	CSA - Ex e (Class 1 Zone 1 & Zone 2)	
	FM - AEx e (Class 1 Zone 1 & Zone2)	
	GOST-R Ex e (Zone 1 & Zone 2)	
	NEMA 4X (CSA, UL & FM) (class 1 division 2)	
Power Rating	19.874W	

### Terminal Populations

Maximum Number of Rows			1
<b>Weidmuller</b>		<b>Wago</b>	
SAK 2.5	21	280-992	24
SAK 4	19	280-999	24
SAK 6	16	281-691	20
SAK 10 *	12	281-992	20
SAK 16 *	10	281-993	20
SAK 35 *	7	282-691 *	15
SAK 70 *	5	284-691 *	12
WDU 2.5	25	283-691	0
WDU 4	21	285-691	0
WDU 6	16	280-998	24
WDU 10 *	12	281-998	20
WDU 16 *	10	264-120	21
<b>Phoenix</b>		264-220	12
UK 2.5 N	25	264-132 (2)	4
UK 3 N	25	264-134 (4)	3
UK 5 N	21	262-132 (2)	4
UK 10 N *	12	262-134 (4)	3
UK 16 N *	10		
UK 35 N *	8		

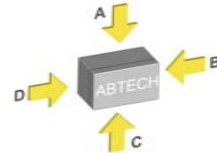
\* Care must be taken to ensure that the size of this enclosure can accommodate the cable bending radius.

### Cable Gland Entry Matrix (using standard gland clearances)

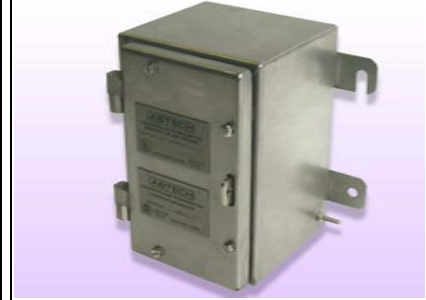
Size	Side A-C		Side B-D	
	140	200	140	200
M16	4	9	8	16
M20	2	6	6	9
M25	1	4	3	6
M32	1	2	2	4
M40	1	1	2	2

### Drilling Envelope Size (with glandplate fitted)

	Side A-C		Side B-D	
	140	200	140	200
Width	87	87	144	144
Height	75	135	75	135



Example



Technical

9

Others

8

ZP Range

7

Fire Rated

6

High Voltage

5

ZAG Range

4

BPGA Range

3

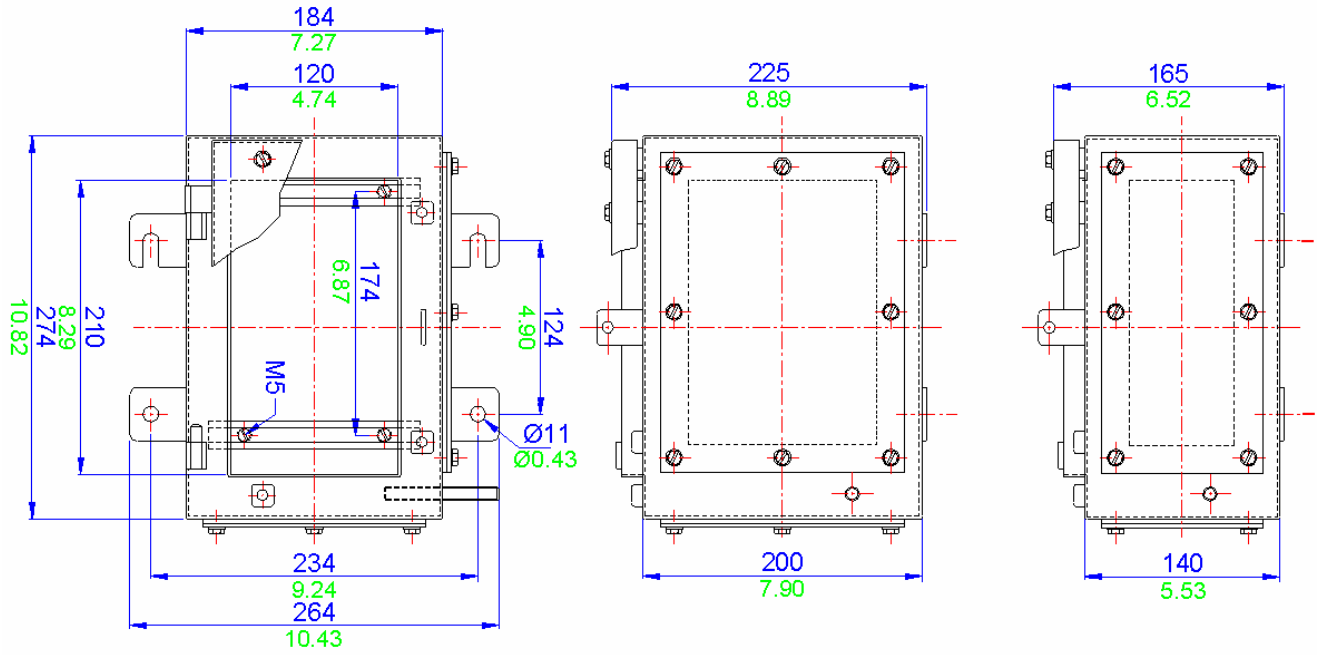
BPG Range

2

SX Range

1

MSX 0.5 / SSX 0.5 Drawing



All blue dimensions in mm, all green dimensions in decimal inches (drawing not to scale)

MSX 0.5 / SSX 0.5 Specifications		
Width	184mm	
Length	274mm	
Depth	140mm or 200mm	
Material	Mild steel	
	Stainless steel 316 (1.4404)	
Weight	140mm deep 5000g	200mm deep 6000g
	IP Rating 66 or 67	
Temperature	-40° to 80° C (-40°F to +176°F) (standard neoprene gasket)	
	-70° to 130° C (-94°F to +266°F) (silicone gasket)	
Certification	ATEX EEx e (Zone 1 & Zone 2) BS EN 60079-7	
	ATEX EEx nA (Zone 2) BS EN 60079-15	
	ATEX EEx nR (Zone 2) BS EN 60079-15	
	CSA - Ex e (Class 1 Zone 1 & Zone 2)	
	FM - AEx e (Class 1 Zone 1 & Zone2)	
	GOST-R Ex e (Zone 1 & Zone 2)	
	NEMA 4X (CSA, UL & FM) (class 1 division 2)	
	Power Rating 19.874W	

Terminal Populations			
Maximum Number of Rows			2
Weidmuller		Wago	
SAK 2.5	56	280-992	31
SAK 4	52	280-999	31
SAK 6	42	281-691	27
SAK 10 *	34	281-992	27
SAK 16 *	14	281-993	27
SAK 35 *	10	282-691 *	21
SAK 70 *	7	284-691 *	16
WDU 2.5	67	283-691	28
WDU 4	56	285-691	0
WDU 6	42	280-998	31
WDU 10 *	34	281-998	27
WDU 16 *	14	264-120	56
Phoenix		264-220	32
UK 2.5 N	68	264-132 (2)	12
UK 3 N	68	264-134 (4)	8
UK 5 N	56	262-132 (2)	12
UK 10 N *	34	262-134 (4)	8
UK 16 N *	14		
UK 35 N *	11		

\* Care must be taken to ensure that the size of this enclosure can accommodate the cable bending radius.

Cable Gland Entry Matrix (using standard gland clearances)				
Size	Side A-C		Side B-D	
	140	200	140	200
M16	6	12	10	20
M20	4	9	8	12
M25	2	6	4	9
M32	2	4	3	6
M40	1	2	2	4

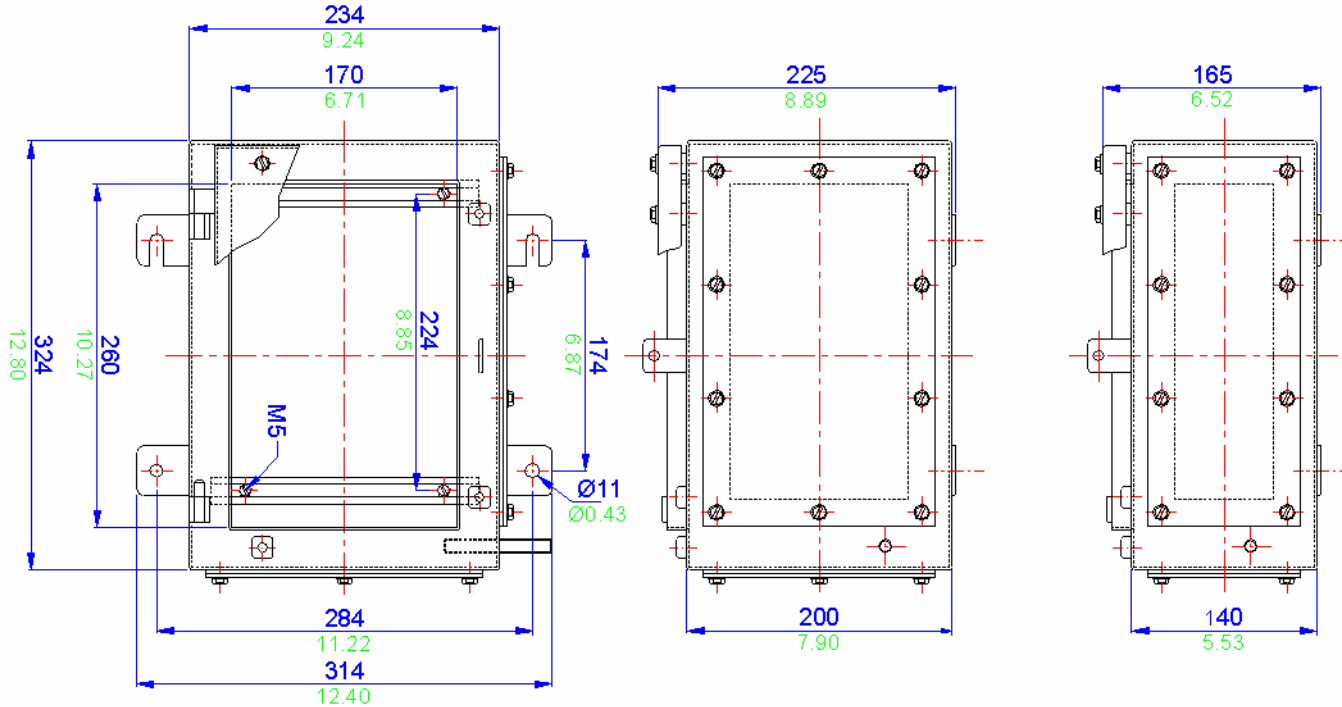
  

Drilling Envelope Size (with glandplate fitted)				
	Side A-C		Side B-D	
	140	200	140	200
Width	119	119	189	189
Height	75	135	75	135

Example

## MSX 1 / SSX 1 Drawing



All blue dimensions in mm, all green dimensions in decimal inches (drawing not to scale)



MSX 1 / SSX 1 Specifications		
Width	234mm	
Length	324mm	
Depth	140mm or 200mm	
Material	Mild steel	
	Stainless steel 316 (1.4404)	
Weight	140mm deep 6300g	200mm deep 7200g
	IP Rating 66 or 67	
Temperature	-40° to 80° C (-40°F to +176°F) (standard neoprene gasket)	
	-70° to 130° C (-94°F to +266°F) (silicone gasket)	
Certification	ATEX EEx e (Zone 1 & Zone 2) BS EN 60079-7	
	ATEX EEx nA (Zone 2) BS EN 60079-15	
	ATEX EEx nR (Zone 2) BS EN 60079-15	
	CSA - Ex e (Class 1 Zone 1 & Zone 2)	
	FM - AEx e (Class 1 Zone 1 & Zone2)	
	GOST-R Ex e (Zone 1 & Zone 2)	
	NEMA 4X (CSA, UL & FM) (class 1 division 2)	
Power Rating	29.206W	

Terminal Populations			
Maximum Number of Rows			2
Weidmuller		Wago	
SAK 2.5	72	280-992	41
SAK 4	66	280-999	41
SAK 6	54	281-691	34
SAK 10 *	44	281-992	34
SAK 16 *	18	281-993	34
SAK 35 *	14	282-691	27
SAK 70 *	10	284-691 *	21
WDU 2.5	86	283-691 *	18
WDU 4	72	285-691 *	12
WDU 6	54	280-998	41
WDU 10 *	44	281-998	34
WDU 16 *	18	264-120	72
Phoenix		264-220	42
UK 2.5 N	86	264-132 (2)	14
UK 3 N	86	264-134 (4)	10
UK 5 N	72	262-132 (2)	14
UK 10 N *	44	262-134 (4)	10
UK 16 N *	18		
UK 35 N *	14		

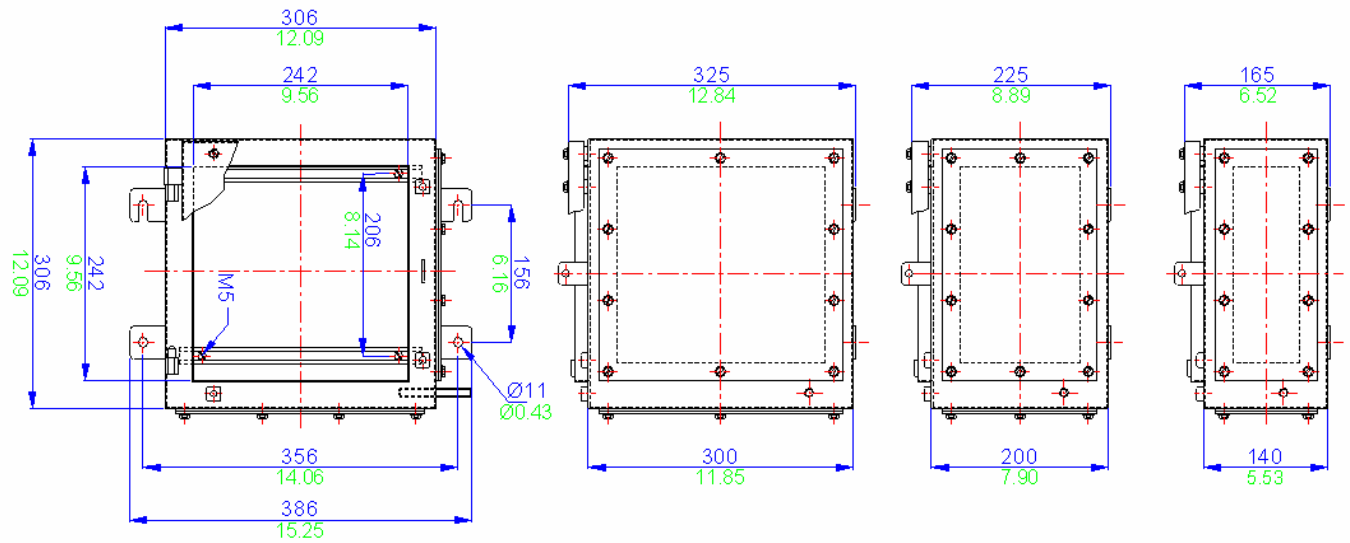
\* Care must be taken to ensure that the size of this enclosure can accommodate the cable bending radius.

Cable Gland Entry Matrix (using standard gland clearances)				
Size	Side A-C		Side B-D	
	140	200	140	200
M16	10	20	14	28
M20	6	12	10	18
M25	3	9	5	12
M32	2	4	4	8
M40	2	2	3	6

Drilling Envelope Size (with glandplate fitted)				
	Side A-C		Side B-D	
	140	200	140	200
Width	169	169	239	239
Height	75	135	75	135

**Example**

### MSX 1.5 / SSX 1.5 Drawing



All blue dimensions in mm, all green dimensions in decimal inches (drawing not to scale)

MSX 1.5 / SSX 1.5 Specifications			
Width	306mm		
Length	306mm		
Depth	140mm or 200mm		
Material	Mild steel		
	Stainless steel 316 (1.4404)		
Weight	140mm 7.3Kg	200mm 8.8Kg	300mm 11.3Kg
	IP Rating 66 or 67		
Temperature	-40° to 80° C (-40°F to +176°F) (standard neoprene gasket)		
	-70° to 130° C (-94°F to +266°F) (silicone gasket)		
Certification	ATEX EEx e (Zone 1 & Zone 2) BS EN 60079-7		
	ATEX EEx nA (Zone 2) BS EN 60079-15		
	ATEX EEx nR (Zone 2) BS EN 60079-15		
	CSA - Ex e (Class 1 Zone 1 & Zone 2)		
	FM - AEx e (Class 1 Zone 1 & Zone 2)		
	GOST-R Ex e (Zone 1 & Zone 2)		
	NEMA 4X (CSA, UL & FM) (class 1 division 2)		
Power Rating	32.284W		

Terminal Populations			
Maximum Number of Rows			3
Weidmuller		Wago	
SAK 2.5	99	280-992	74
SAK 4	93	280-999	74
SAK 6	75	281-691	64
SAK 10 *	60	281-992	64
SAK 16 *	34	281-993	64
SAK 35 *	24	282-691	48
SAK 70 *	20	284-691 *	38
WDU 2.5	118	283-691 *	32
WDU 4	99	285-691 *	11
WDU 6	75	280-998	74
WDU 10 *	60	281-998	64
WDU 16 *	34	264-120	99
Phoenix		264-220	60
UK 2.5 N	120	264-132 (2)	21
UK 3 N	120	264-134 (4)	15
UK 5 N	99	262-132 (2)	21
UK 10 N *	60	262-134 (4)	15
UK 16 N *	34		
UK 35 N *	26		

\* Care must be taken to ensure that the size of this enclosure can accommodate the cable bending radius.

Cable Gland Entry Matrix (using standard gland clearances)				
Size	Side A-C		Side B-D	
	140	200	140	200
M16	14	28	12	25
M20	10	18	10	16
M25	5	12	4	12
M32	4	8	3	6
M40	3	6	3	4

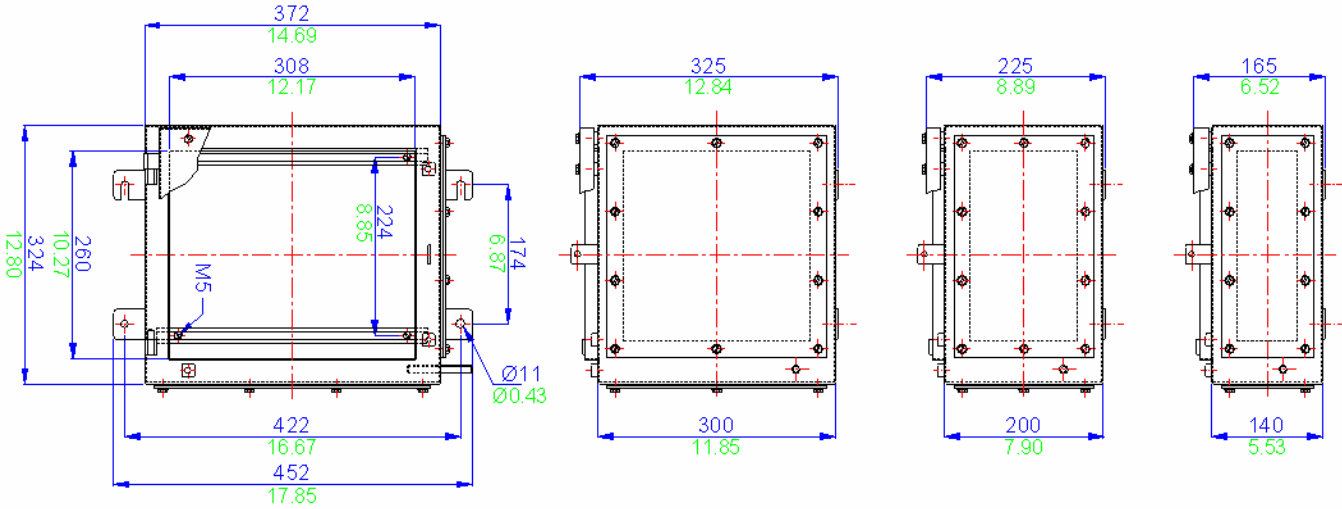
  

Drilling Envelope Size (with glandplate fitted)				
	Side A-C		Side B-D	
	140	200	140	200
Width	241	241	221	221
Height	75	135	75	135

Example

MSX 2 / SSX 2 Drawing



All blue dimensions in mm, all green dimensions in decimal inches (drawing not to scale)

MSX 2 / SSX 2 Specifications			
Width	372mm		
Length	324mm		
Depth	140mm or 200mm		
Material	Mild steel		
	Stainless steel 316 (1.4404)		
Weight	140mm 9.5Kg	200mm 11.3Kg	300mm 14.3Kg
	IP Rating 66 or 67		
Temperature	-40° to 80° C (-40°F to +176°F) (standard neoprene gasket)		
	-70° to 130° C (-94°F to +266°F) (silicone gasket)		
Certification	ATEX EEx e (Zone 1 & Zone 2) BS EN 60079-7		
	ATEX EEx nA (Zone 2) BS EN 60079-15		
	ATEX EEx nR (Zone 2) BS EN 60079-15		
	CSA - Ex e (Class 1 Zone 1 & Zone 2)		
	FM - AEx e (Class 1 Zone 1 & Zone2)		
	GOST-R Ex e (Zone 1 & Zone 2)		
	NEMA 4X (CSA, UL & FM) (class 1 division 2)		
Power Rating	36.500W		

Terminal Populations			
Maximum Number of Rows			3
Weidmuller		Wago	
SAK 2.5	132	280-992	150
SAK 4	123	280-999	150
SAK 6	99	281-691	126
SAK 10	78	281-992	126
SAK 16	66	281-993	84
SAK 35	42	282-691	99
SAK 70	24	284-691 *	78
WDU 2.5	158	283-691 *	44
WDU 4	132	285-691 *	30
WDU 6	99	280-998	150
WDU 10 *	78	281-998	126
WDU 16 *	66	264-120	132
Phoenix		264-220	78
UK 2.5 N	156	264-132 (2)	27
UK 3 N	156	264-134 (4)	18
UK 5 N	132	262-132 (2)	27
UK 10 N	78	262-134 (4)	18
UK 16 N	66		
UK 35 N	54		

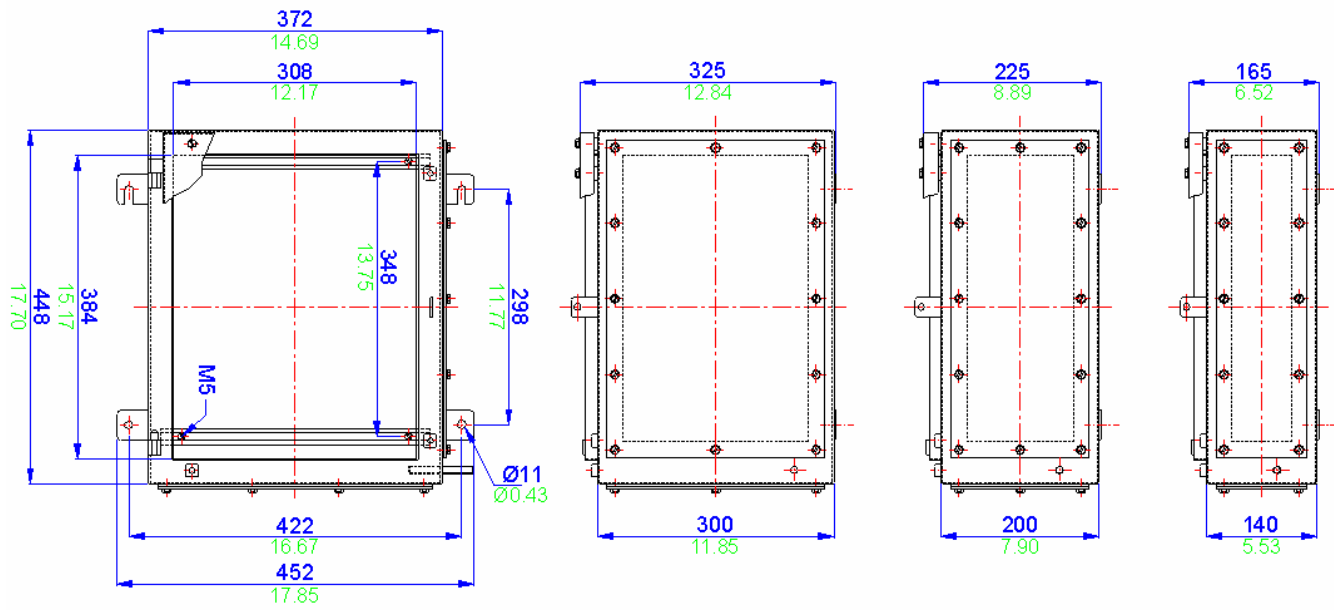
\* Care must be taken to ensure that the size of this enclosure can accommodate the cable bending radius.

Cable Gland Entry Matrix (using standard gland clearances)				
Size	Side A-C		Side B-D	
	140	200	140	200
M16	18	36	14	28
M20	14	24	10	18
M25	6	18	6	12
M32	5	10	4	8
M40	4	8	3	6

Drilling Envelope Size (with glandplate fitted)				
	Side A-C		Side B-D	
	140	200	140	200
Width	307	307	239	239
Height	75	135	75	135

**Example**

### MSX 3 / SSX 3 Drawing



All blue dimensions in mm, all green dimensions in decimal inches (drawing not to scale)

MSX 3 / SSX 3 Specifications			
Width	372mm		
Length	448mm		
Depth	140mm or 200mm		
Material	Mild steel		
	Stainless steel 316 (1.4404)		
Weight	140mm 11.3Kg	200mm 13.3Kg	300mm 16.6Kg
	IP Rating 66 or 67		
Temperature	-40° to 80° C (-40°F to +176°F) (standard neoprene gasket)		
	-70° to 130° C (-94°F to +266°F) (silicone gasket)		
Certification	ATEX EEx e (Zone 1 & Zone 2) BS EN 60079-7		
	ATEX EEx nA (Zone 2) BS EN 60079-15		
	ATEX EEx nR (Zone 2) BS EN 60079-15		
	CSA - Ex e (Class 1 Zone 1 & Zone 2)		
	FM - AEx e (Class 1 Zone 1 & Zone2)		
	GOST-R Ex e (Zone 1 & Zone 2)		
	NEMA 4X (CSA, UL & FM) (class 1 division 2)		
Power Rating	42.289W		

Terminal Populations			
Maximum Number of Rows			3
Weidmuller		Wago	
SAK 2.5	168	280-992	189
SAK 4	156	280-999	189
SAK 6	126	281-691	162
SAK 10 *	102	281-992	162
SAK 16 *	84	281-993	108
SAK 35 *	63	282-691	126
SAK 70 *	45	284-691 *	99
WDU 2.5	201	283-691 *	56
WDU 4	168	285-691 *	38
WDU 6	126	280-998	189
WDU 10 *	102	281-998	162
WDU 16 *	84	264-120	168
Phoenix		264-220	99
UK 2.5 N	201	264-132 (2)	36
UK 3 N	201	264-134 (4)	24
UK 5 N	168	262-132 (2)	36
UK 10 N *	102	262-134 (4)	24
UK 16 N *	84		
UK 35 N *	69		

\* Care must be taken to ensure that the size of this enclosure can accommodate the cable bending radius.

Cable Gland Entry Matrix (using standard gland clearances)				
Size	Side A-C		Side B-D	
	140	200	140	200
M16	16	36	20	45
M20	12	24	16	28
M25	7	15	8	21
M32	5	10	6	12
M40	4	8	5	8

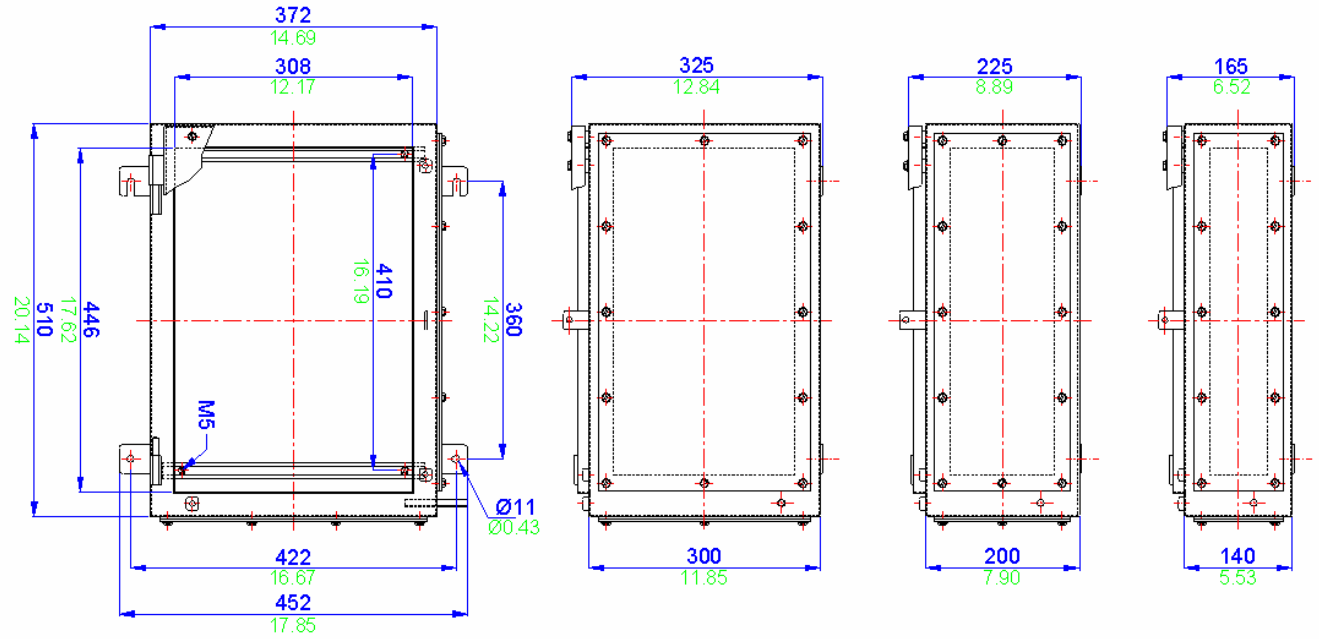
  

Drilling Envelope Size (with glandplate fitted)				
	Side A-C		Side B-D	
	140	200	140	200
Width	307	307	363	363
Height	75	135	75	135

**Example**

### MSX 4 / SSX 4 Drawing



All blue dimensions in mm, all green dimensions in decimal inches (drawing not to scale)



MSX 4 / SSX 4 Specifications			
Width	372mm		
Length	510mm		
Depth	140mm or 200mm		
Material	Mild steel		
	Stainless steel 316 (1.4404)		
Weight	140mm 12.7Kg	200mm 14.8Kg	300mm 18.3Kg
	IP Rating 66 or 67		
Temperature	-40° to 80° C (-40°F to +176°F) (standard neoprene gasket)		
	-70° to 130° C (-94°F to +266°F) (silicone gasket)		
Certification	ATEX EEx e (Zone 1 & Zone 2) BS EN 60079-7		
	ATEX EEx nA (Zone 2) BS EN 60079-15		
	ATEX EEx nR (Zone 2) BS EN 60079-15		
	CSA - Ex e (Class 1 Zone 1 & Zone 2)		
	FM - AEx e (Class 1 Zone 1 & Zone2)		
	GOST-R Ex e (Zone 1 & Zone 2)		
	NEMA 4X (CSA, UL & FM) (class 1 division 2)		
Power Rating	44.726W		

Terminal Populations			
Maximum Number of Rows			3
Weidmuller		Wago	
SAK 2.5	198	280-992	222
SAK 4	183	280-999	222
SAK 6	150	281-691	189
SAK 10	120	281-992	189
SAK 16	99	281-993	126
SAK 35	75	282-691	147
SAK 70	54	284-691	117
WDU 2.5	237	283-691	66
WDU 4	198	285-691	44
WDU 6	150	280-998	222
WDU 10 *	120	281-998	189
WDU 16 *	99	264-120	198
Phoenix		264-220	117
UK 2.5 N	237	264-132 (2)	42
UK 3 N	237	264-134 (4)	30
UK 5 N	198	262-132 (2)	42
UK 10 N	102	262-134 (4)	30
UK 16 N	99		
UK 35 N	81		

\* Care must be taken to ensure that the size of this enclosure can accommodate the cable bending radius.

Cable Gland Entry Matrix (using standard gland clearances)				
Size	Side A-C		Side B-D	
	140	200	140	200
M16	18	36	26	52
M20	14	24	20	36
M25	6	18	10	24
M32	5	10	7	14
M40	4	8	6	10

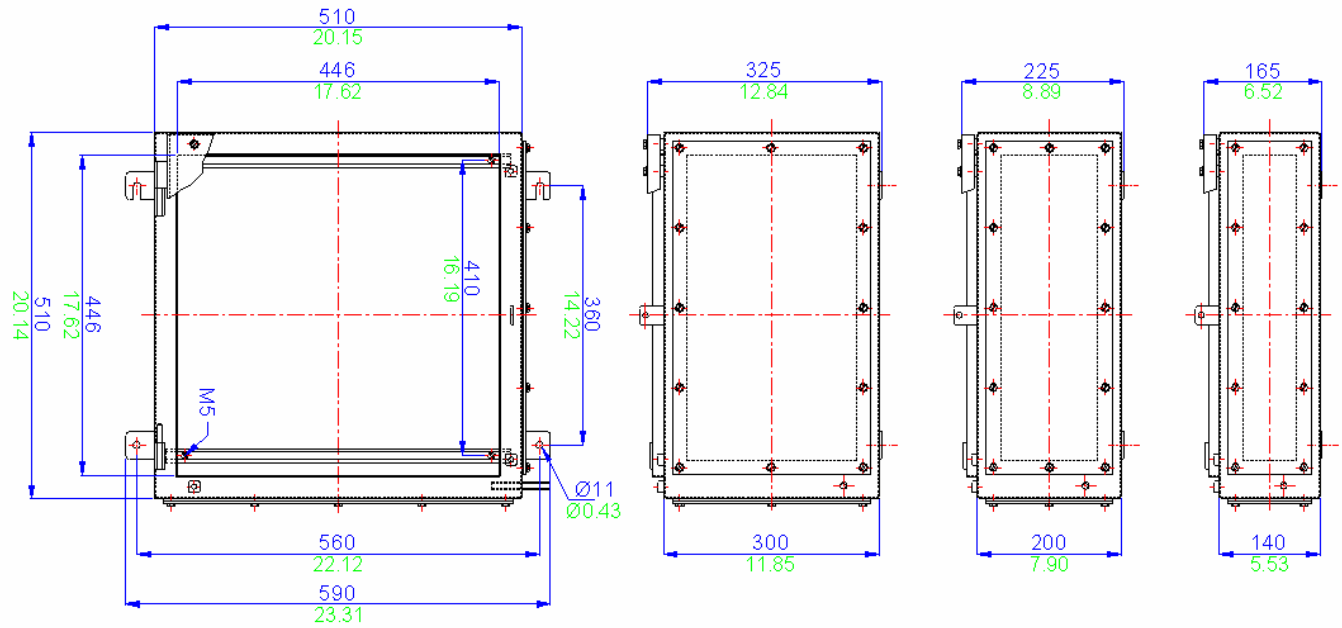
  

Drilling Envelope Size (with glandplate fitted)				
	Side A-C		Side B-D	
	140	200	140	200
Width	307	307	425	425
Height	75	135	75	135

**Example**

### MSX 5 / SSX 5 Drawing



All blue dimensions in mm, all green dimensions in decimal inches (drawing not to scale)

MSX 5 / SSX 5 Specifications			
Width	510mm		
Length	510mm		
Depth	140mm or 200mm		
Material	Mild steel		
	Stainless steel 316 (1.4404)		
Weight	140mm 17.0Kg	200mm 20.0Kg	300mm 25.0Kg
	IP Rating 66 or 67		
	Temperature		
Temperature	-40° to 80° C (-40°F to +176°F) (standard neoprene gasket)		
	-70° to 130° C (-94°F to +266°F) (silicone gasket)		
Certification	ATEX EEx e (Zone 1 & Zone 2) BS EN 60079-7		
	ATEX EEx nA (Zone 2) BS EN 60079-15		
	ATEX EEx nR (Zone 2) BS EN 60079-15		
	CSA - Ex e (Class 1 Zone 1 & Zone 2)		
	FM - AEx e (Class 1 Zone 1 & Zone2)		
	GOST-R Ex e (Zone 1 & Zone 2)		
	NEMA 4X (CSA, UL & FM) (class 1 division 2)		
Power Rating	50.328W		

Terminal Populations			
Maximum Number of Rows			4
Weidmuller		Wago	
SAK 2.5	264	280-992	296
SAK 4	244	280-999	296
SAK 6	200	281-691	252
SAK 10	160	281-992	252
SAK 16	132	281-993	189
SAK 35	100	282-691	196
SAK 70	72	284-691	156
WDU 2.5	316	283-691	99
WDU 4	264	285-691	66
WDU 6	200	280-998	296
WDU 10	160	281-998	252
WDU 16	132	264-120	264
<b>Phoenix</b>		264-220	156
UK 2.5 N	316	264-132 (2)	56
UK 3 N	316	264-134 (4)	40
UK 5 N	264	262-132 (2)	56
UK 10 N	160	262-134 (4)	40
UK 16 N	132		
UK 35 N	108		

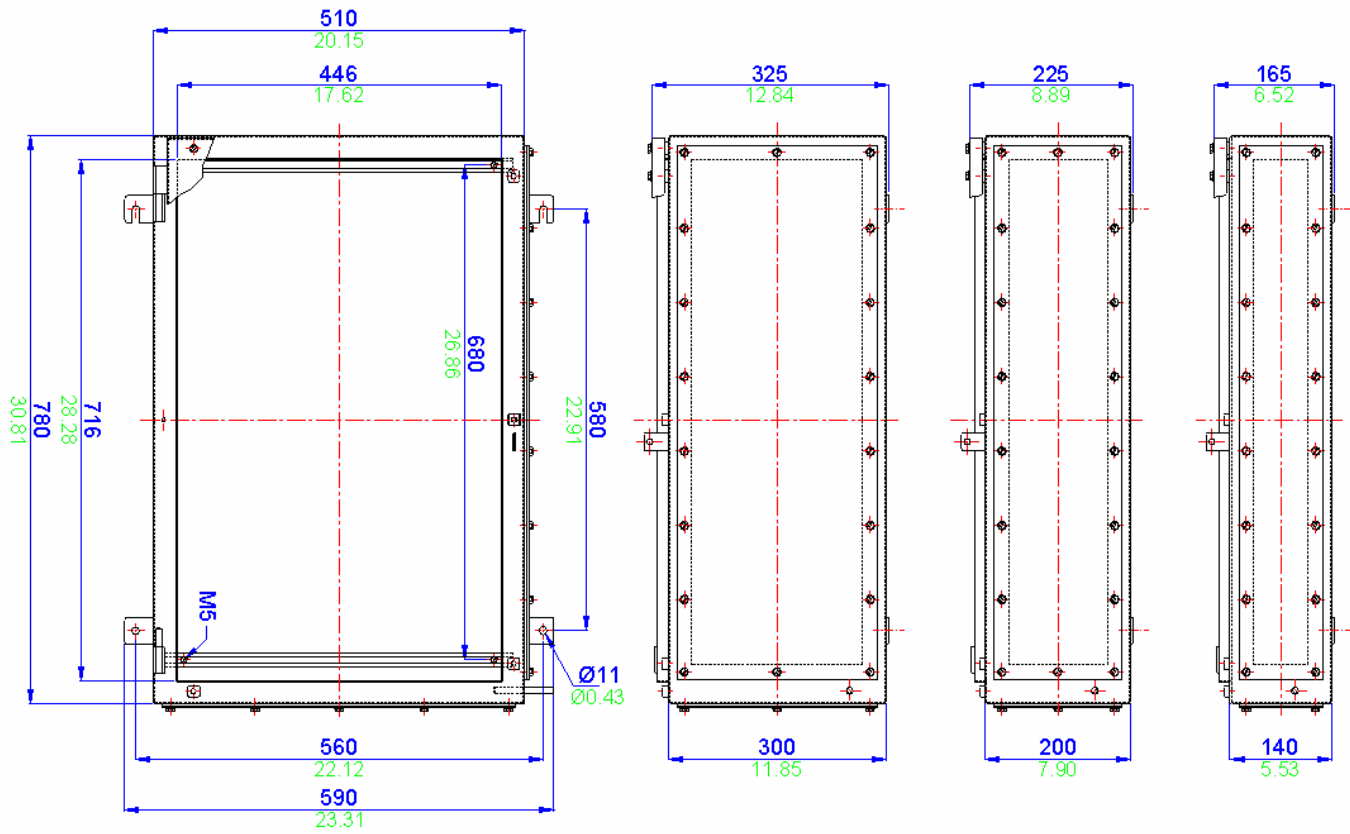
\* Care must be taken to ensure that the size of this enclosure can accommodate the cable bending radius.

Cable Gland Entry Matrix (using standard gland clearances)				
Size	Side A-C		Side B-D	
	140	200	140	200
M16	26	55	26	52
M20	20	36	20	36
M25	10	27	10	24
M32	7	14	7	14
M40	6	12	6	10

Drilling Envelope Size (with glandplate fitted)				
	Side A-C		Side B-D	
	140	200	140	200
Width	445	445	425	425
Height	75	135	75	135

**Example**

MSX 6 / SSX 6 Drawing



All blue dimensions in mm, all green dimensions in decimal inches (drawing not to scale)

MSX 6 / SSX 6 Specifications			
Width	510mm		
Length	780mm		
Depth	140mm or 200mm or 300mm		
Material	Mild steel		
	Stainless steel 316 (1.4404)		
Weight	140mm 24.0Kg	200mm 27.0Kg	300mm 32.0Kg
	IP Rating 66 or 67		
Temperature	-40° to 80° C (-40°F to +176°F) (standard neoprene gasket)		
	-70° to 130° C (-94°F to +266°F) (silicone gasket)		
Certification	ATEX EEx e (Zone 1 & Zone 2) BS EN 60079-7		
	ATEX EEx nA (Zone 2) BS EN 60079-15		
	ATEX EEx nR (Zone 2) BS EN 60079-15		
	CSA - Ex e (Class 1 Zone 1 & Zone 2)		
	FM - AEx e (Class 1 Zone 1 & Zone2)		
	GOST-R Ex e (Zone 1 & Zone 2)		
	NEMA 4X (CSA, UL & FM) (class 1 division 2)		
Power Rating	57.383W		

Terminal Populations			
Maximum Number of Rows			4
Weidmuller		Wago	
SAK 2.5	440	280-992	496
SAK 4	404	280-999	496
SAK 6	332	281-691	424
SAK 10	264	281-992	424
SAK 16	220	281-993	318
SAK 35	168	282-691	328
SAK 70	120	284-691	264
WDU 2.5	528	283-691	165
WDU 4	440	285-691	114
WDU 6	332	280-998	496
WDU 10	264	281-998	424
WDU 16	220	264-120	440
<b>Phoenix</b>		264-220	264
UK 2.5 N	524	264-132 (2)	92
UK 3 N	524	264-134 (4)	64
UK 5 N	440	262-132 (2)	92
UK 10 N	264	262-134 (4)	64
UK 16 N	229		
UK 35 N	176		

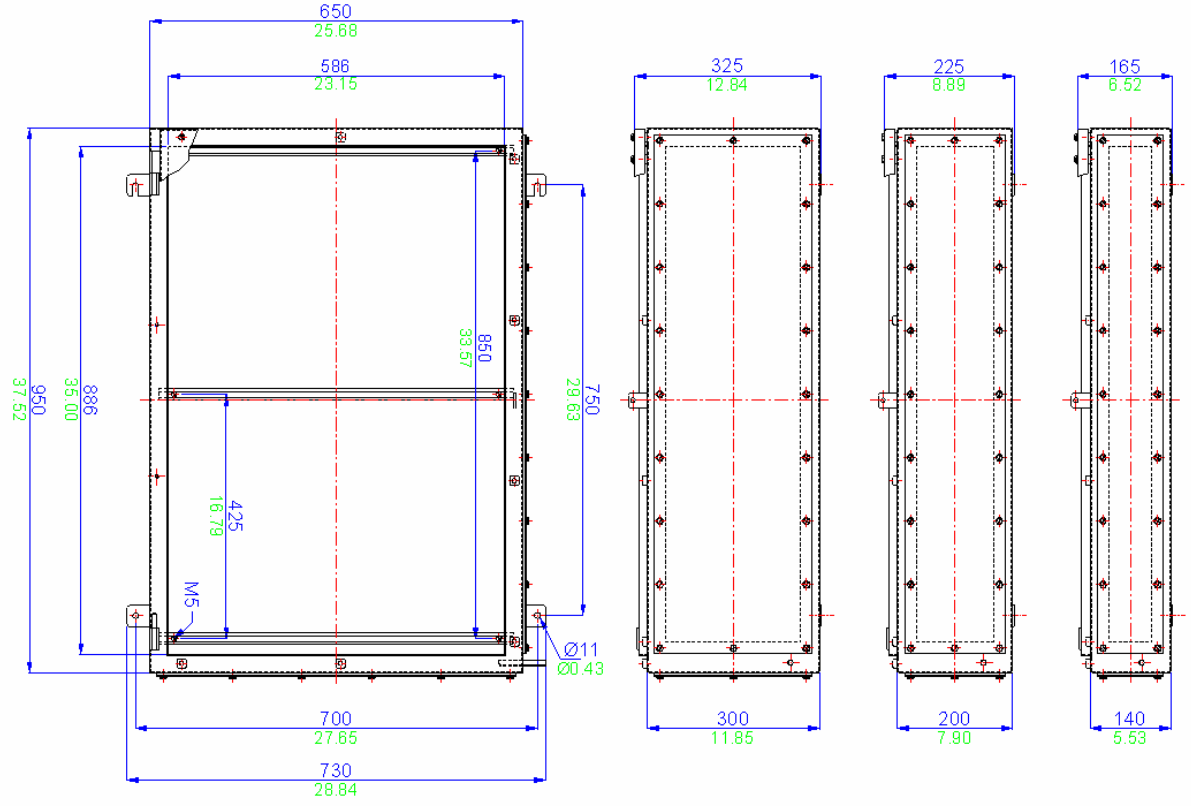
\* Care must be taken to ensure that the size of this enclosure can accommodate the cable bending radius.

Cable Gland Entry Matrix (using standard gland clearances)				
Size	Side A-C		Side B-D	
	140	200	140	200
M16	26	55	42	85
M20	20	36	34	60
M25	10	27	18	42
M32	7	14	11	22
M40	6	12	10	18

Drilling Envelope Size (with glandplate fitted)				
	Side A-C		Side B-D	
	140	200	140	200
Width	445	445	695	695
Height	75	135	75	135

**Example**

### MSX 7 / SSX 7 Drawing



All blue dimensions in mm, all green dimensions in decimal inches (drawing not to scale)

## MSX 7 / SSX 7 Specifications

Width	650mm		
Length	950mm		
Depth	140mm or 200mm or 300mm		
Material	Mild steel		
	Stainless steel 316 (1.4404)		
Weight	140mm 35.0Kg	200mm 39.0Kg	300mm 45.0Kg
	IP Rating 66 or 67		
Temperature	-40° to 80° C (-40°F to +176°F) (standard neoprene gasket)		
	-70° to 130° C (-94°F to +266°F) (silicone gasket)		
Certification	ATEX EEx e (Zone 1 & Zone 2) BS EN 60079-7		
	ATEX EEx nA (Zone 2) BS EN 60079-15		
	ATEX EEx nR (Zone 2) BS EN 60079-15		
	CSA - Ex e (Class 1 Zone 1 & Zone 2)		
	FM - AEx e (Class 1 Zone 1 & Zone2)		
	GOST-R Ex e (Zone 1 & Zone 2)		
	NEMA 4X (CSA, UL & FM) (class 1 division 2)		
Power Rating	68.000W		

## Terminal Populations

Maximum Number of Rows		5	
<b>Weidmuller</b>		<b>Wago</b>	
SAK 2.5	685	280-992	775
SAK 4	635	280-999	775
SAK 6	520	281-691	660
SAK 10	415	281-992	660
SAK 16	345	281-993	528
SAK 35	260	282-691	510
SAK 70	150	284-691	410
WDU 2.5	822	283-691	272
WDU 4	685	285-691	188
WDU 6	520	280-998	775
WDU 10	415	281-998	660
WDU 16	345	264-120	685
<b>Phoenix</b>		264-220	410
UK 2.5 N	820	264-132 (2)	145
UK 3 N	820	264-134 (4)	100
UK 5 N	685	262-132 (2)	145
UK 10 N	415	262-134 (4)	100
UK 16 N	345		
UK 35 N	280		

\* Care must be taken to ensure that the size of this enclosure can accommodate the cable bending radius.

## Cable Gland Entry Matrix

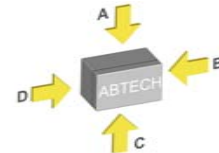
(using standard gland clearances)

Size	Side A-C		Side B-D	
	140	200	140	200
M16	36	72	54	110
M20	28	48	42	72
M25	14	36	22	54
M32	10	20	14	28
M40	8	16	12	24

## Drilling Envelope Size

(with glandplate fitted)

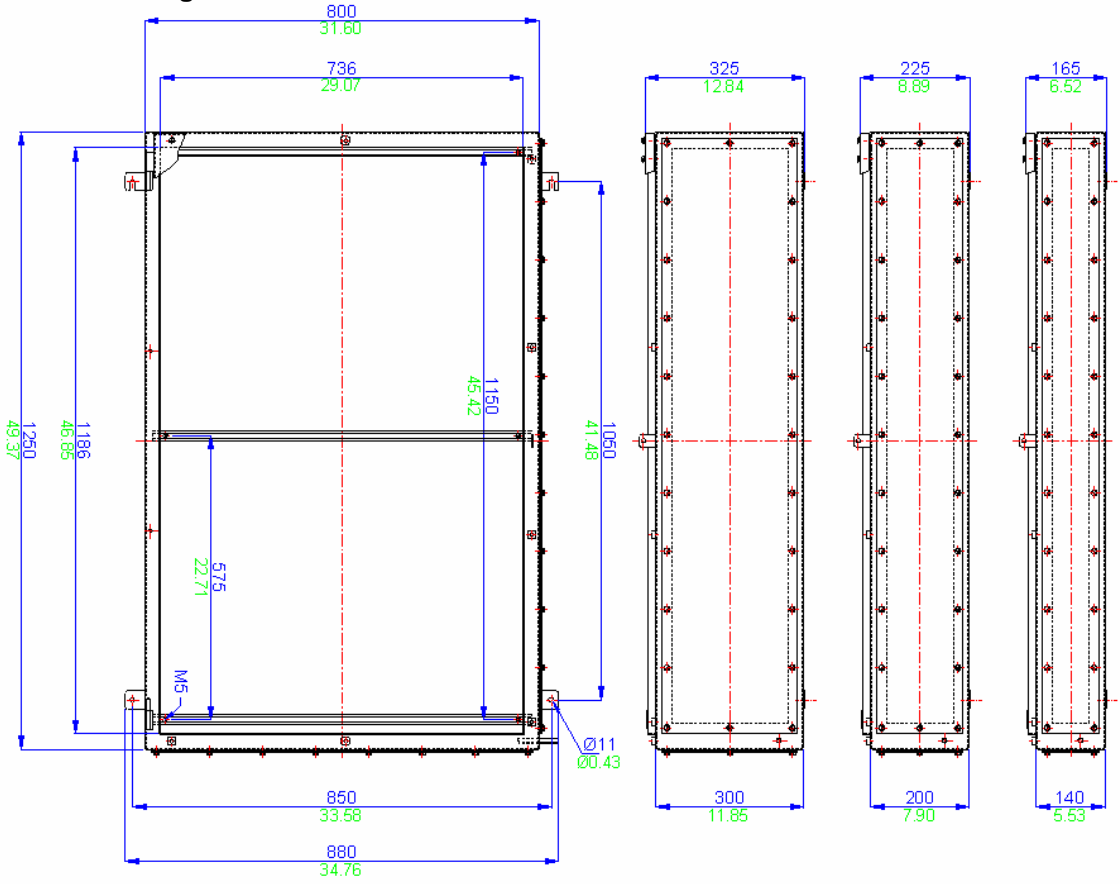
	Side A-C		Side B-D	
	140	200	140	200
Width	585	585	865	865
Height	75	135	75	135



Example



### MSX 8 / SSX 8 Drawing



All blue dimensions in mm, all green dimensions in decimal inches (drawing not to scale)



MSX 8 / SSX 8 Specifications			
Width	800mm		
Length	1250mm		
Depth	140mm or 200mm or 300mm		
Material	Mild steel		
	Stainless steel 316 (1.4404)		
Weight	140mm 40.0Kg	200mm 52.0Kg	300mm 72.0Kg
	IP Rating 66 or 67		
Temperature	-40° to 80° C (-40F to +176F) (standard neoprene gasket)		
	-70° to 130° C (-94F to +266F) (silicone gasket)		
Certification	ATEX EEx e (Zone 1 & Zone 2) BS EN 60079-7		
	ATEX EEx nA (Zone 2) BS EN 60079-15		
	ATEX EEx nR (Zone 2) BS EN 60079-15		
	CSA - Ex e (Class 1 Zone 1 & Zone2)		
	FM - AEx e (Class 1 Zone 1 & Zone2)		
	GOST-R Ex e (Zone 1 & Zone 2)		
	NEMA 4X (CSA, UL & FM) (class 1 division 2)		
Power Rating	119.462W		

Terminal Populations			
Maximum Number of Rows			5
Weidmuller		Wago	
SAK 2.5	1295	280-992	775
SAK 4	635	280-999	775
SAK 6	520	281-691	660
SAK 10	415	281-992	660
SAK 16	345	281-993	528
SAK 35	260	282-691	510
SAK 70	150	284-691	410
WDU 2.5	1554	283-691	272
WDU 4	1295	285-691	188
WDU 6	520	280-998	775
WDU 10	415	281-998	660
WDU 16	345	264-120	685
Phoenix		264-220	410
UK 2.5 N	820	264-132 (2)	145
UK 3 N	820	264-134 (4)	100
UK 5 N	685	262-132 (2)	145
UK 10 N	415	262-134 (4)	100
UK 16 N	345		
UK 35 N	280		

\* Care must be taken to ensure that the size of this enclosure can accommodate the cable bending radius.

Cable Gland Entry Matrix (using standard gland clearances)				
Size	Side A-C		Side B-D	
	140	200	140	200
M16	45	90	72	150
M20	36	60	58	100
M25	18	45	30	72
M32	12	24	20	40
M40	10	20	17	32

Drilling Envelope Size (with glandplate fitted)				
	Side A-C		Side B-D	
	140	200	140	200
Width	735	735	1165	1165
Height	75	135	75	135

Example

1

SX Range

