

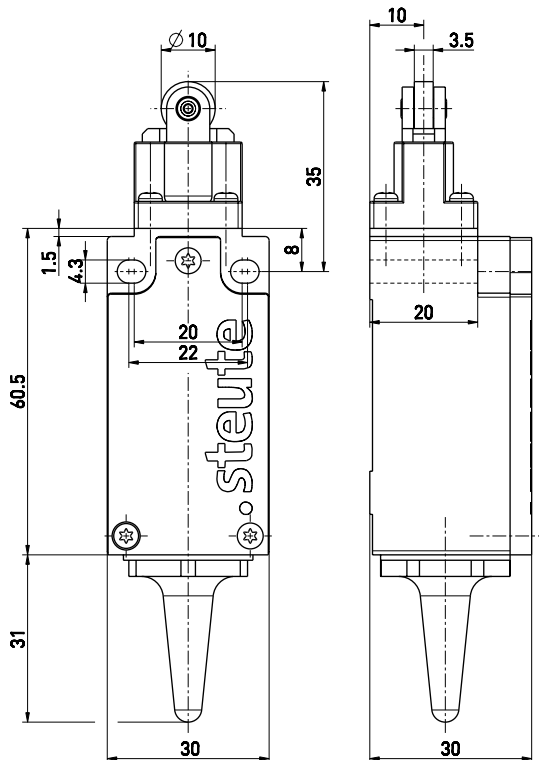
Ex switchgear with radio technology // Ex RF 95 R EN868 Order no.: 95909301

Features/Options

- Ex zone 1 and 2, as well as 21 and 22
- Thermoplastic enclosure
- Transversely slotted mounting holes
- To EN 50 047
- Output signal can be individually configured at the receiver

- EnOcean-protocol
- Data rate 120 kbps
- No power supply, no wiring and pipe laying required
- Multi-network capable

Dimensions



Technical Data

| | |
|----------------------|---|
| Standards | EN 60947-5-1; EN 61000-6-2; EN 301 489-1; EN 301 489-3; EN 300 220-3; EN 60079-11; EN 61241-11 |
| Enclosure | Glassfibre reinforced thermoplastic, self-extinguishing UL 94-V0 |
| Cover | Glassfibre reinforced thermoplastic, self-extinguishing UL 94-V0 |
| Degree of protection | IP 67 per IEC/EN 60529 |
| Protocol | EnOcean |
| Ambient temperature | -20 °C ... +60 °C |
| Switching frequency | approx. 9000 telegrams at repetitions/h |
| Voltage supply | Electrodynamic energy generator |
| Frequency | 868.3 MHz |
| Transmission power | max. 10 mW |
| Data rate | 120 kbps |
| Bandwidth channel | 280 kHz |
| Sensing range | max. 300 m outside, max. 30 m inside |
| Mechanical life | > 1 million operations |
| Actuating time | min. 80 ms |
| Note | no status signal |
| Ex marking | ⊕ II 2G Ex ib IIC T6 Gb ⊕ II 2D Ex ib IIIC T80°C Db |
| Approvals | BVS 08 ATEX E 111 |
| Weight | 72g |

Errors and omissions excepted.