

Solenoid interlock // STM 295 2Ö/2S-A Order no.: 95353001

Features/Options

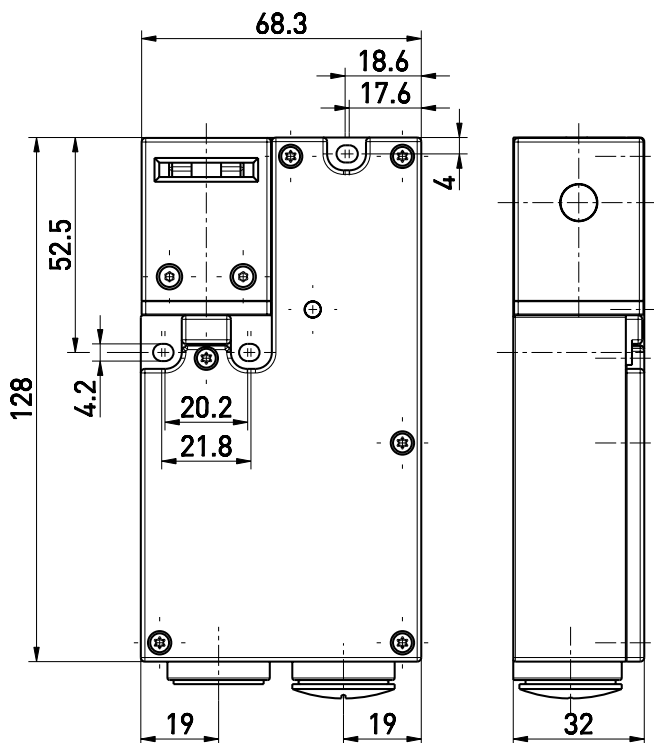
- Thermoplastic enclosure
- Double insulated
- Power-to-lock principle

Note


The actuator is not included with the switches.

- Holding force 1000 N
- Wiring compartment

Dimensions

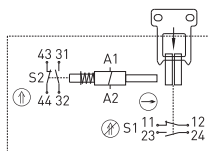


Technical data

Standards:	EN ISO 13849-1; IEC/EN 60947-5-1; EN 1088
Enclosure	glass-fibre reinforced, shock-resistant thermoplastic, self-extinguishing UL 94-V0 STM 295
Switch insert	
Degree of protection	IP 67 to IEC/EN 60529
Contact material	silver
Switching system	slow action, NC contact with positive break \ominus
Switching elements	2 NC and 2 NO contacts with positive break, galvanically separated contact bridges
Connection	M3 screw clamps
Cable section	max. 1.5 mm ² (incl. conductor ferrules)
Cable entries	2 x M20 x 1.5 for cable section 5 ... 9 mm
B_{10d} (10% Load)	1 million
T_M	max. 20 years
U_{imp}	4 kV
U_i	250 V
I_{the}	4 A
I_e/U_e	4 A/250 VAC; 0.25 A/230 VDC
Utilisation category	AC-15, DC-13
Max. fuse rating	6 A gL/gG D-fuse
U_s	24 VDC
Magnet	100 % ED
Unlocking	100 % ED
Power consumption	max. 47 W
Ambient temperature	-20 °C ... +55 °C
Mechanical life	> 500.000 operations
Holding force F	max. 1000 N
Approvals	
Weight	410g

Switching diagram

Power-to-lock principle
2 NC/2 NO contact



Errors and omissions excepted.