



## Ex Safety sensors

// Ex RC Si M30 10/1S - LED - 10m Order no.: 23003904

### Features/Options

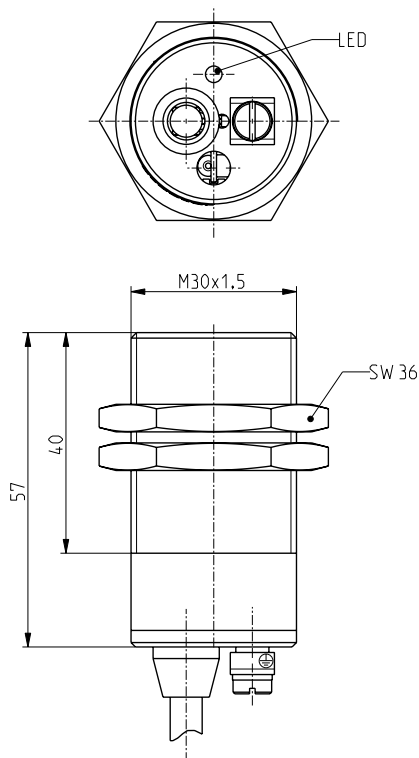
- Ex zone 1 and 21
- Metal enclosure
- Reed contacts, coded

- Actuation from front
- Switching distance up to 10 mm
- N.B.: Please state required approvals for Russia and China with your order!

### Note

The actuator is not included with the switches.

### Dimensions



### Technical data

#### Standards

EN ISO 13849-1;  
IEC/EN 60947-5-3 / PDF-M\*;  
EN 954-1; EN 1088;  
EN 60079-0; EN 60079-18;  
EN 61241-0; EN 61241-1

#### Enclosure

brass, nickered

#### Degree of protection

IP 67 to IEC/EN 60529

#### Switching system

Reed contacts

#### Contact types

1 NC/1 NO contact

#### Connection

cable H05 VV-F 5G, 5 x 0.5 mm<sup>2</sup>

#### Cable length

10 m

#### B<sub>10d</sub> (10% Load)

1 million

#### T<sub>M</sub>

max. 20 years

#### MTTF<sub>d</sub>

>100 years

#### I<sub>e</sub>/U<sub>e</sub>

max. 20 mA / 24 VDC

#### Switching voltage

max. 30 VDC

#### Voltage drop at I<sub>e</sub>

3 V

#### Switching frequency

5 Hz

#### Ambient temperature

-20 °C ... +70 °C

#### Mechanical life

> 10 million operations

#### Repeatability

< 0.5 mm

#### Operating distances:

S<sub>max</sub> 10 mm

S<sub>ao</sub> 8 mm

S<sub>ar</sub> 24 mm

#### Ex marking

⊕ II 2G Ex mb II T6,

⊕ II 2D Ex tD A21 IP67 T80°C

IECEx Ex mb II T6,

Ex tD A21 IP67 T80°C

PTB 05 ATEX 2024 X;

IECEx PTB 07.0008 X

#### Approvals

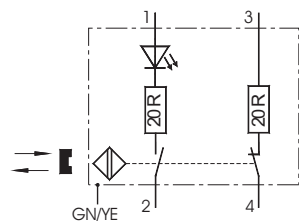


Errors and omissions excepted.

### Switching diagram

#### Reed contacts, coded

1 NC/1 NO contact  
with LED lamp

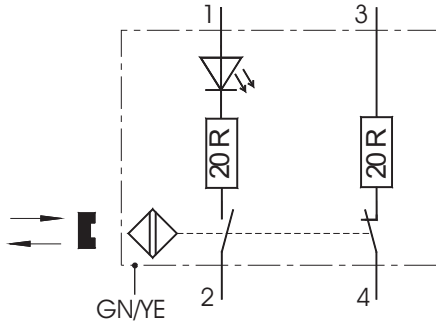




## Ex Safety sensors

// Ex RC Si M30 1Ö/1S - LED - 10m Order no.: 23003904

### Contact diagram



### Axial misalignment

