



Ex Safety sensors

// Ex RC Si M30 1Ö/1S - LED - 5m Order no.: 23003503

Features/Options

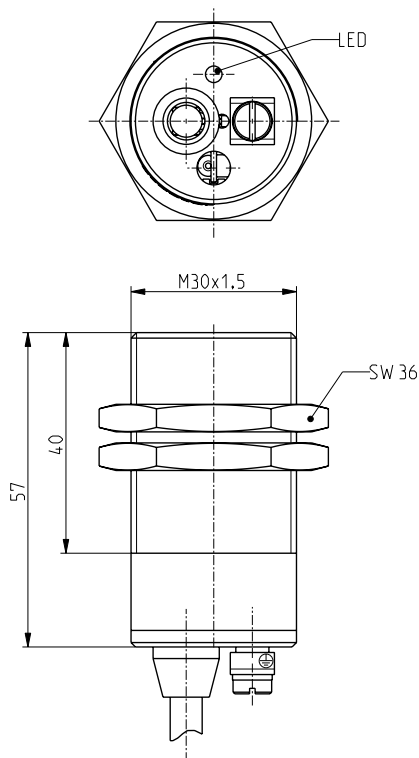
- Ex zone 1 and 21
- Metal enclosure
- Reed contacts, coded

- Actuation from front
- Switching distance up to 10 mm
- N.B.: Please state required approvals for Russia and China with your order!

Note

The actuator is not included with the switches.

Dimensions



Technical data

Standards

EN ISO 13849-1;
IEC/EN 60947-5-3 / PDF-M*;
EN 954-1; EN 1088;
EN 60079-0; EN 60079-18;
EN 61241-0; EN 61241-1

Enclosure

brass, nickel

Degree of protection

IP 67 to IEC/EN 60529

Switching system

Reed contacts

Contact types

1 NC/1 NO contact

Connection

cable H05 VV-F 5G, 5 x 0.5 mm²

Cable length

5 m

B_{10d} (10% Load)

1 million

T_M

max. 20 years

MTTF_d

>100 years

I_e/U_e

max. 20 mA / 24 VDC

Switching voltage

max. 30 VDC

Voltage drop at I_e

3 V

Switching frequency

5 Hz

Ambient temperature

-20 °C ... +70 °C

Mechanical life

> 10 million operations

Repeatability

< 0.5 mm

Operating distances:

S_{max} 10 mm

S_{ao} 8 mm

S_{ar} 24 mm

Ex marking

⊕ II 2G Ex mb II T6,

⊕ II 2D Ex tD A21 IP67 T80°C

IECEx Ex mb II T6,

Ex tD A21 IP67 T80°C

PTB 05 ATEX 2024 X;

IECEx PTB 07.0008 X

Approvals

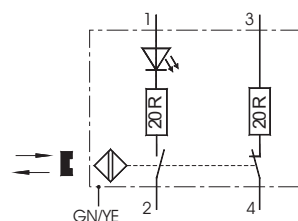


Errors and omissions excepted.

Switching diagram

Reed contacts, coded

1 NC/1 NO contact
with LED lamp

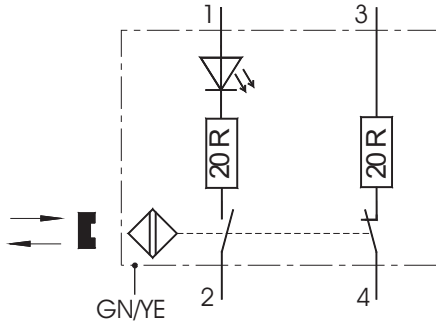




Ex Safety sensors

// Ex RC Si M30 1Ö/1S - LED - 5m Order no.: 23003503

Contact diagram



Axial misalignment

