

## Safety sensors

// HS Si 4 10/1S-1m Order no.: 20460101

### Features/Options

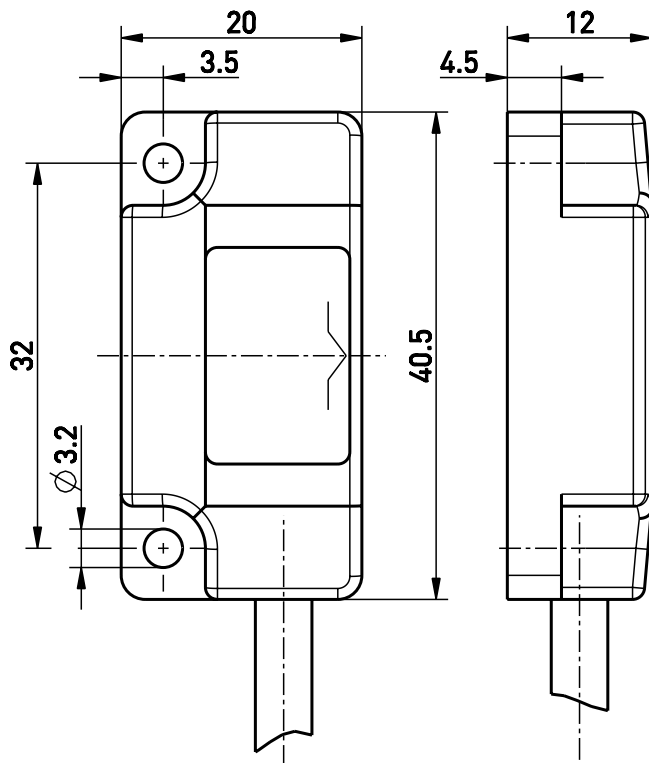
- Thermoplastic enclosure
- Long life
- High shock resistance

- Hall sensor 1 NC/1 NO contact
- Galvanically separated channels
- With cable

### Note

The actuator is not included in the delivery of the switches.

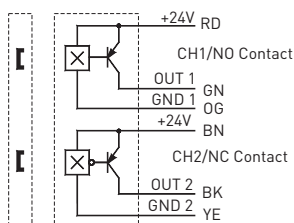
### Dimensions



### Technical data

<b>Standards</b>	EN ISO 13849-1; IEC/EN 60947-5-2; IEC/EN 60947-5-3/PDF-M*; EN 954-1; EN 1088
<b>Enclosure</b>	glass-fibre reinforced thermoplastic, ultramid A3XZG5, self-extinguishing
<b>Degree of protection</b>	IP 67 to IEC/EN 60529
<b>Switching system</b>	Hall sensor, 2 channels galvanically separated, semiconductor 1 NC/1 NO contact
<b>Connection</b>	cable, 6 x AWG 26
<b>Cable length</b>	1 m
<b>Safety-relevant data:</b>	
EN 954-1	Category 4 *
EN ISO 13849-1	PL e
$T_M$	max. 20 years
MTTFd	> 100 years
<b>Utilisation category</b>	DC-13, DC-12
$I_e/U_e$	40 mA / 24 VDC
$U_e$	10 ... 30 VDC
$U_i$	75 VDC
$U_{imp}$	1 kV
<b>Residual current</b>	≤ 6 mA per channel
<b>Voltage drop</b>	≤ 2.5 VDC
<b>Switch-on/switch-off time</b>	< 1 ms
<b>Risk time</b>	< 100 ms
<b>Max. fuse rating</b>	< 50 mA internal reversible fuse
<b>Switching frequency</b>	max. 1000 Hz
<b>Degree of pollution</b>	3
<b>Overvoltage category</b>	II
<b>Ambient temperature</b>	-20 °C ... +70 °C
<b>Switching capacity:</b>	
$S_{ao}$	6 mm
$S_{ar}$	20 mm
	* is only achieved in combination with a safety module
<b>Weight</b>	40g

### Contact diagram



Errors and omissions excepted.

## Safety sensors

// HS Si 4 10/1S-1m Order no.: 20460101

Axial misalignment

