

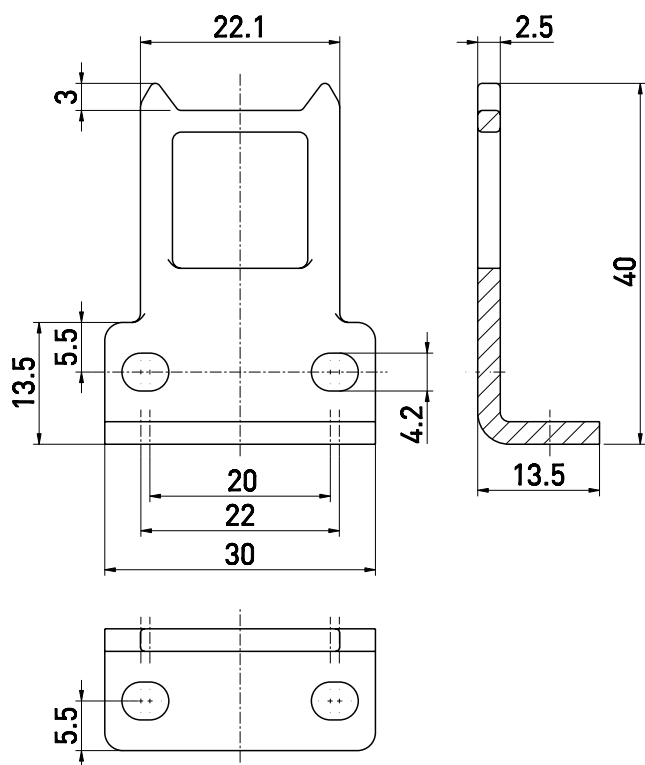
Accessories for Ex solenoid interlocks // angled STM 295-B5 angled actuator

Order no.: 04.95.1234

Features/Options

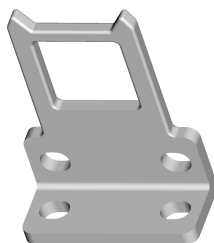
- Especially suitable for hinged guards
- Actuating radius on hinged guards a = 350 mm and b = 700 mm
- Axial misalignment x = 13.5 mm

Dimensions



Switching diagram

actuator
angled



Errors and omissions excepted.