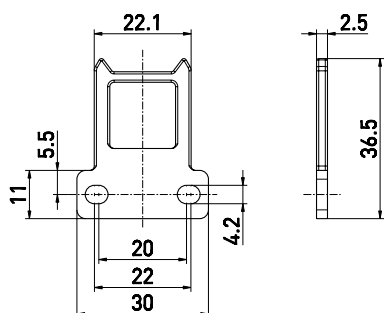


Accessories for Safety switch with separate actuator // Straight actuator ES 95 AZ-B1 Order no.: 04.95.1120

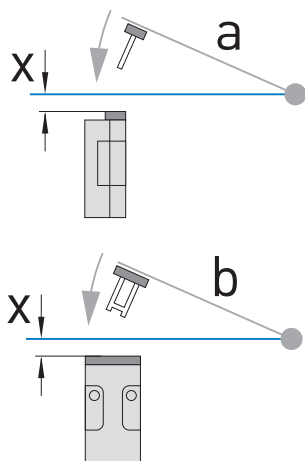
Features/Options

- Stainless steel 1.4301
- Actuating radius on hinged guards a = 350 mm and b = 700 mm
- Axial misalignment x = 11 mm

Dimensions



Actuating radius



- The axis of the hinge should be x mm above the top edge of the safety switch and in the same plane.
- a Actuating radius to the plane of the actuator
- b Actuating radius in line with the plane of the actuator
- x Axial misalignment

Errors and omissions excepted.