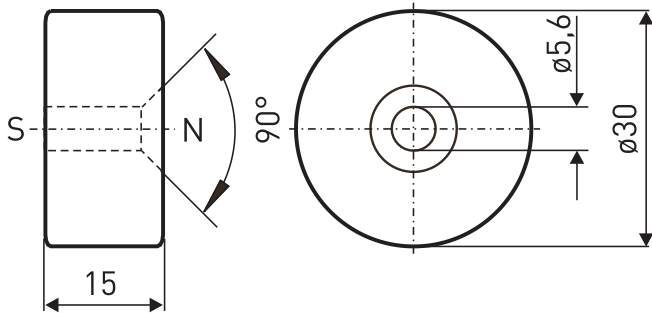


## Accessories for Magnetic sensors, cylindrical form // M 400 NU Order no.: 01.24.0014

### Features/Options

- Unenclosed
- Barium ferrite
- Ambient temperature:  
-20 °C ... +80 °C

### Dimensions



Errors and omissions excepted.