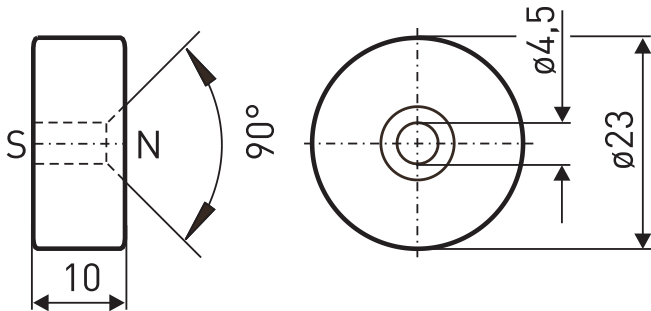


Accessories for Magnetic sensors, cylindrical form // M 300 NU Order no.: 01.24.0007

Features/Options

- Unenclosed
- M 300 U: color coding of the north pole (red point)
- Barium ferrite
- Ambient temperature:
-20 °C ... +80 °C

Dimensions



Errors and omissions excepted.