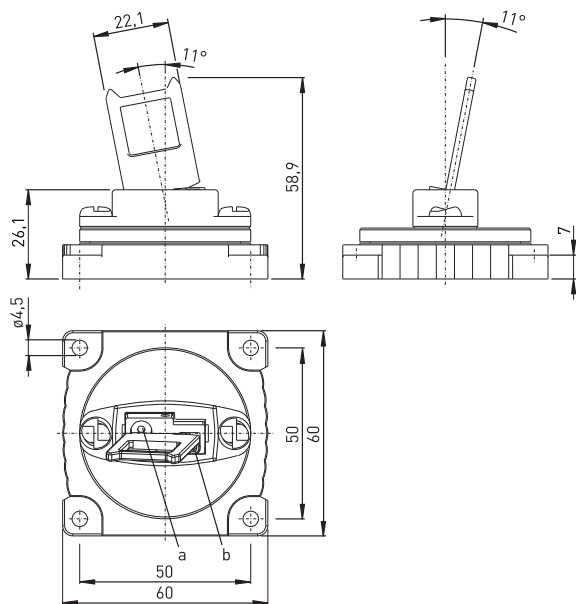


## Accessories for Ex safety switches with separate actuator // AZ 335/355-B6 flexible Order no.: 01.08.0159

### Features/Options

- Especially suitable for sliding and hinged guards
- Compensates play of  $\pm 5$  mm in two axes
- Actuating radius on hinged guards a = 100 mm and b = 100 mm
- axial misalignment x = 30.3 mm

### Dimensions



Errors and omissions excepted.