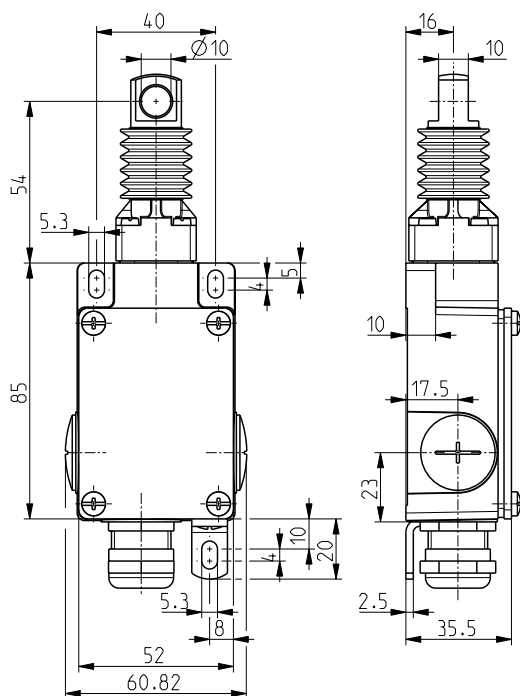
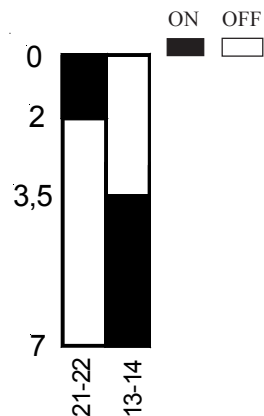
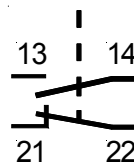


**Dimensional drawing****Switching path****Circuit diagram****Technical Data:**

Regulations:	IEC/EN 60947-5-1
Enclosure:	Aluminium die casting, paint finish
Cover:	steel, paint finish
Protection class:	IP 67 to EN 60529
Contact material:	fine silver
Switching element:	1 NC + 1 NO
Switching system:	Slow action contact
Ambient temperature:	-40° C to +80° C
Mounting connection:	M3,5 screwed connection
Actuation:	by pull wire
cable section:	max. 2,5mm <sup>2</sup> (incl. conductor ferrules)
Cable entry:	3 x M20x1,5
U <sub>imp</sub> :	6 kV
U <sub>i</sub> :	400 V
I <sub>the</sub> :	10 A
Utilisation category:	AC-15
I <sub>e</sub> /U <sub>e</sub> :	16 A/400 VAC
Max. fuse rating:	16 A gL/gG D-fuse
Mechanical life:	>1 million operations
B <sub>10d</sub> (10% load):	2 million
T <sub>M</sub> :	max 20 years

**Specification:**

- IP67
- temperature resistant -40 °C to +80° C

**Part No.: 61.0.42.9.07 (1188177)**