

## Relay boards for cradle-relays

These relay boards are suitable for the use in the entire field of control engineering. Servicing ease is ensured by the way in which the relays can simply be exchanged.

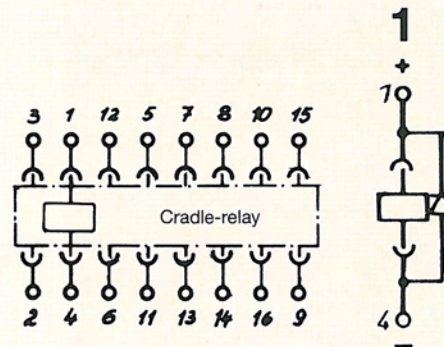
Relay boards are used when control links are produced with plug-in relays and small loads are switched. The matching relays for the different relay boards, i.e. for the different coil voltages and contact arrangements, are supplied by the relay manufacturers.

### Design

Cradle-relay sockets and terminal strips are arranged on a circuit board on a component base for screw or snap on attachment. Each free-wheeling diode provides for the coil quenching.

### Technical data

Component base	Polystyrene
Circuit board	Laminated paper 1.5 mm 70 $\mu$ m Cu, protective varnish coat
Cradle-relay socket	Size II or III Size II max. 4 two-way contacts Size III max. 6 two-way contacts
Switching current	3 A
Switching voltage	220 V A.C./D.C.
Free-wheeling diode	1300 V/1 A
Stock version	As in circuit diagram 1



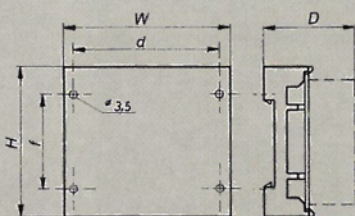
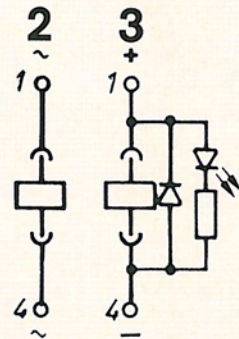
### Note

Customized relay boards as in the circuit diagrams 2 and 3 are available upon request for quick delivery.

Versions with fast-on connectors are also available upon request for quick delivery.

### Ordering example for special versions

0809 relay board as in circuit diagrams 2 or 3 with socket for relays.



Dimensions				
W	H	d	f	D
45		37		
90	63	82	40	37
70		62		

Cradle-relay socket size	Number	Type of connection	Ordering code
II 16-pole	1	Terminals	0809-0104-00-30
	2		0809-0204-00-30
III 22-pole	1		0809-0106-00-30

Specifications subject to modifications