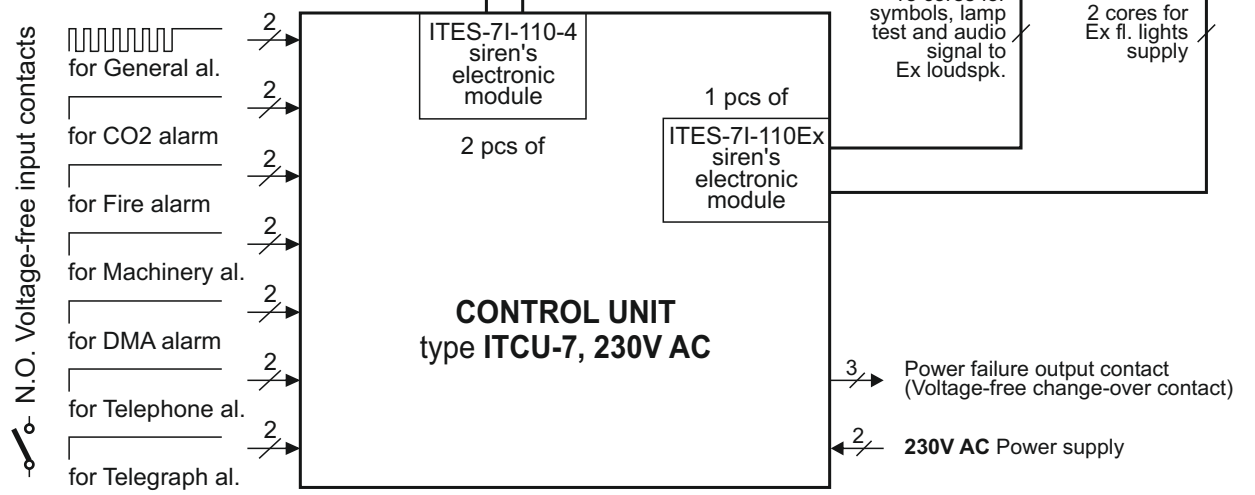
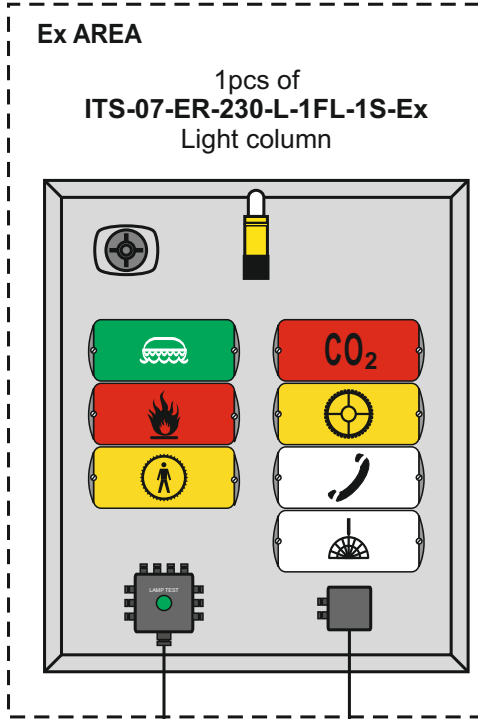
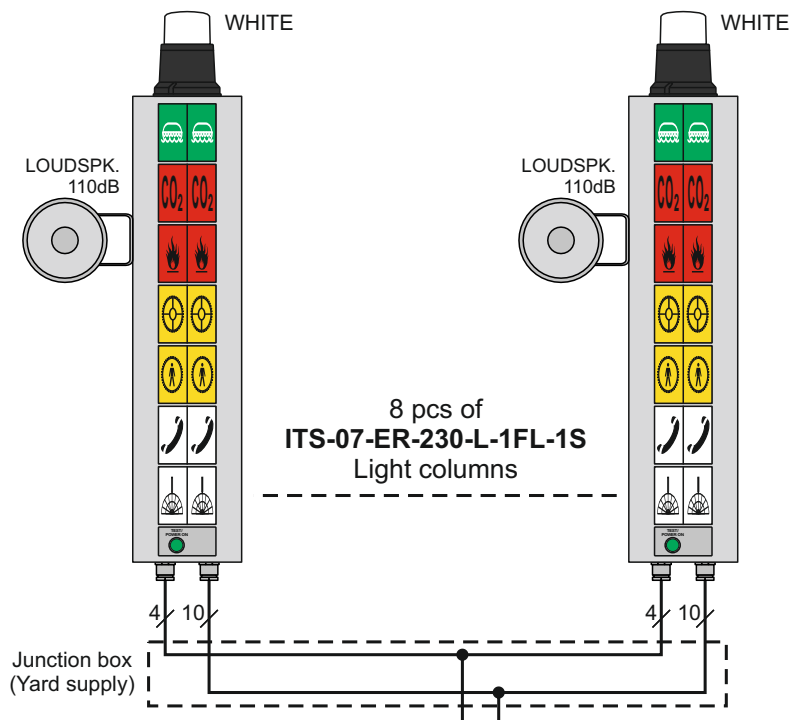
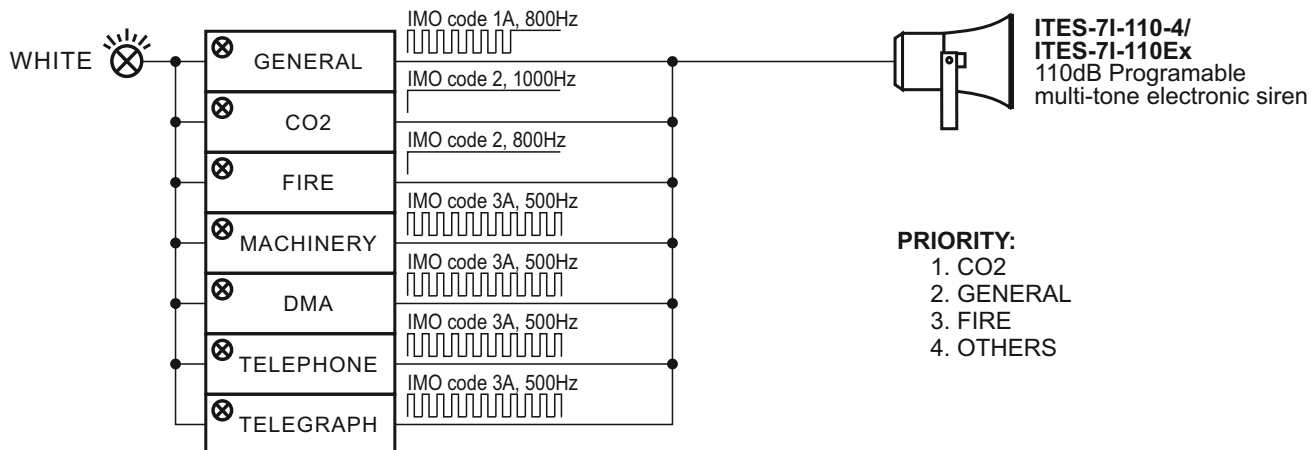


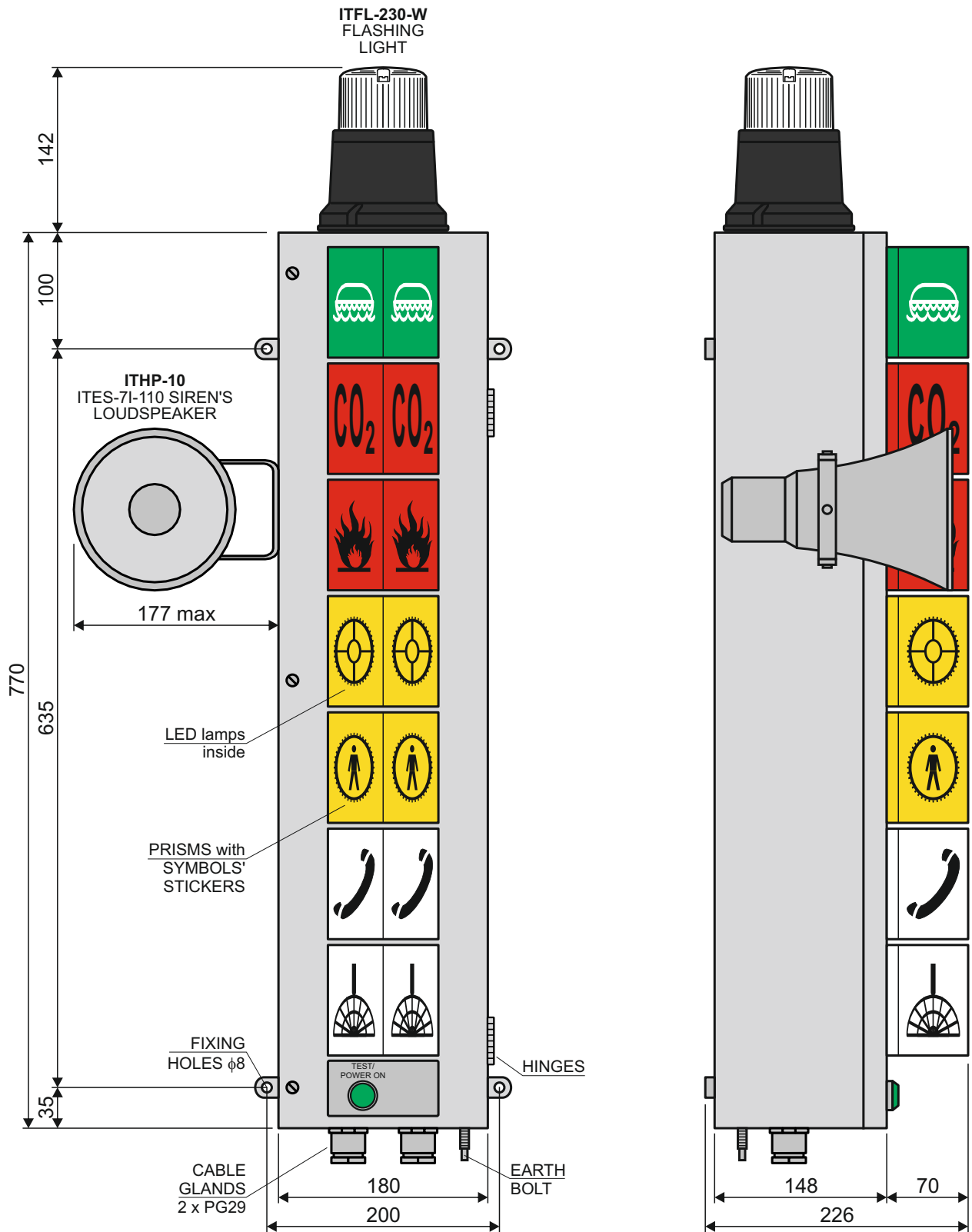
ENGINE ROOM SIGNALIZATION SYSTEM


*ER Signalization,
Marin Supply, Norway
I-16144*

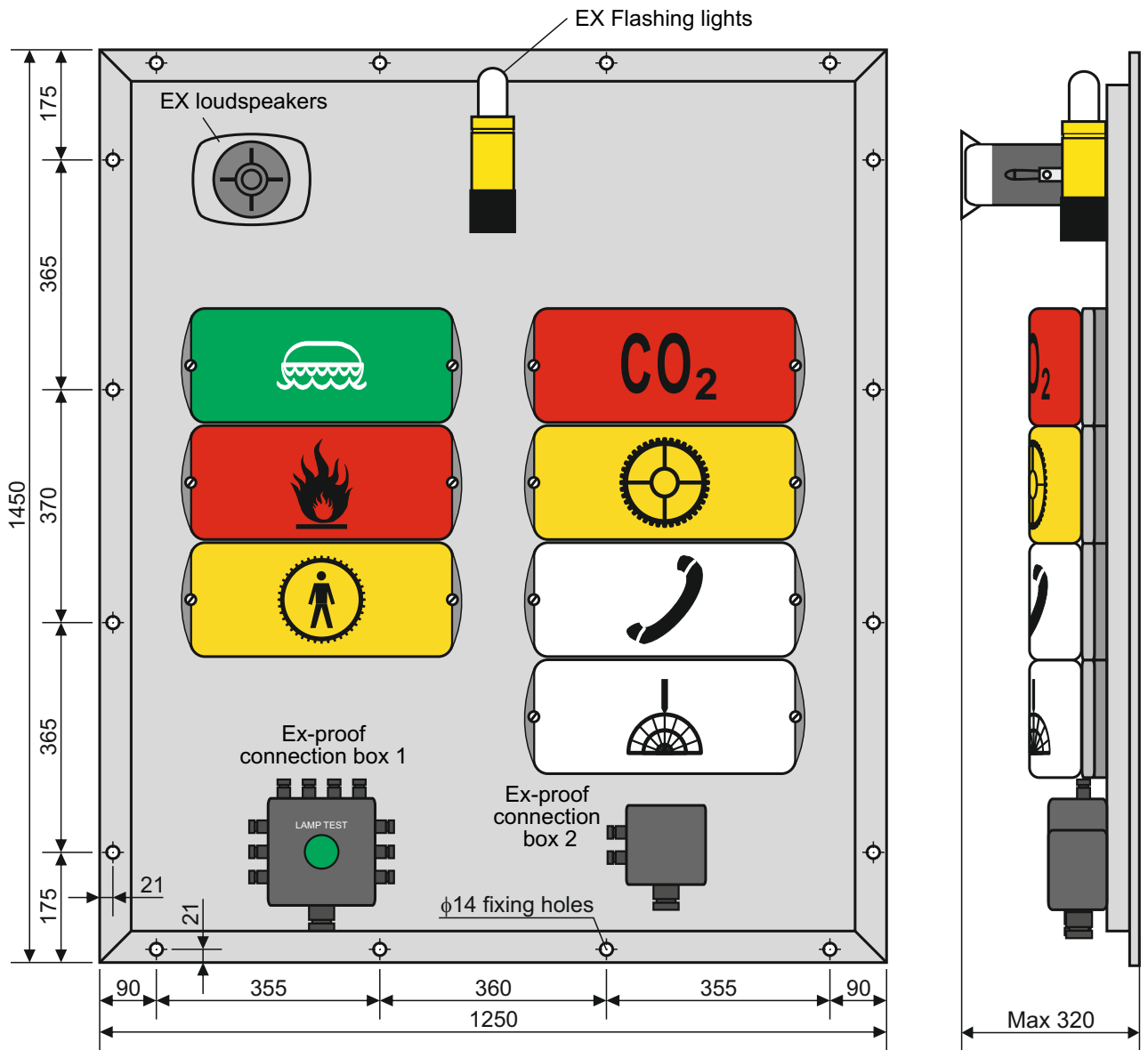



***NOTE: Input contact for General alarm should follow general alarm sequence waveform (7 short and 1 long).

			Date	Name	Title: ENGINE ROOM SIGNALIZATION SYSTEM Block diagram
			Project.		
			Constr.	20.11.15. Aleksić	
			Check		
Rev	Changes	Date/Sign	 ENGINEERING FOR ELECTRONIC EQUIPMENT AND SYSTEMS		
This drawing is the property of INELTEH d.o.o. and must not be reproduced, copied or distributed, entirely or in part, without written permission of INELTEH d.o.o.					
			Identity:	I-16144	File: ER Signalization, block, Marin Supply, I-16144.cdr
					Page/of 1/3



			Date	Name	Title: LIGHT COLUMN type ITS-07-ER-230-L-1FL-1S Front view and outlines
		Project.			
		Constr.	20.11.15.	Aleksić	
		Check			
Rev	Changes	Date/Sign	 INELTEH ENGINEERING FOR ELECTRONIC EQUIPMENT AND SYSTEMS		
This drawing is the property of INELTEH d.o.o. and must not be reproduced, copied or distributed, entirely or in part, without written permission of INELTEH d.o.o.					
			Identity:	I-16144	File: ITS-07-ER-230-L-1FL-1S, out, Marin Supply, I-16144.cdr
					Page/of 2/3



			Date	Name	Title: LIGHT COLUMN type ITS-07-ER-230-L-1FL-1S-Ex Front view and outlines
		Project.			
		Constr.	20.11.15.	Aleksić	
		Check			
Rev	Changes	Date/Sign	 INELTEH ENGINEERING FOR ELECTRONIC EQUIPMENT AND SYSTEMS		
This drawing is the property of INELTEH d.o.o. and must not be reproduced, copied or distributed, entirely or in part, without written permission of INELTEH d.o.o.					
			Identity:	I-16144	File: ITS-07-ER-230-L-1FL-1S-Ex, out, Marin Supply, I-16144.cdr
					Page/of 3/3