

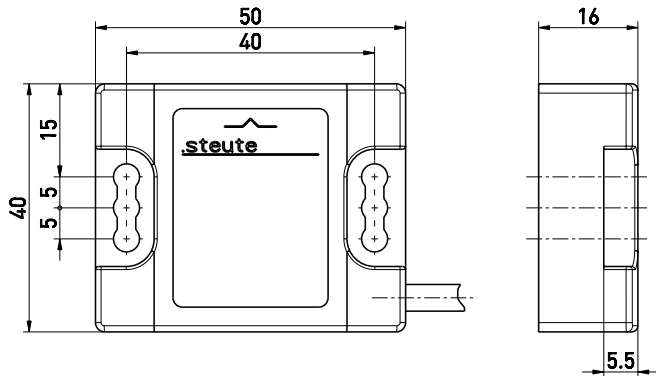
Magnetic safety sensor // RC Si 56 2Ö - 1m - IP 69K Order no.: 25659101

Features/Options

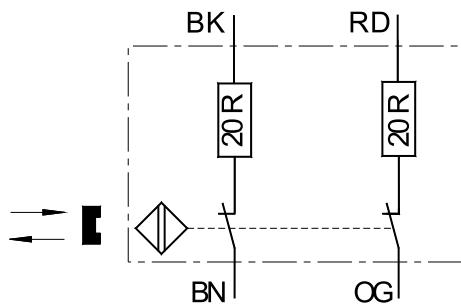
- Thermoplastic enclosure
- Long life
- Reed contacts, coded
- Actuation from front

- Switching distance up to 7 mm
- With pre-wired cable
- Version with higher protection class IP 69K: suitable for cleaning with 80°C hot water at 100 bar pressure at a distance of 100 mm from different directions

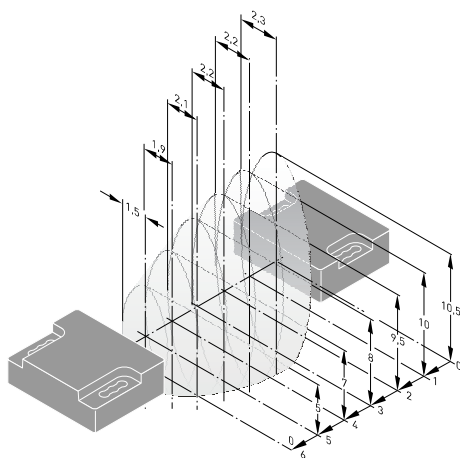
Dimensions



Contact diagram



Axial Misalignment



Technical data

Standards

EN ISO 13849-1;
IEC/EN 60947-5-2;
IEC/EN 60947-5-3/PDF-M*;
EN 954-1; EN 1088

Enclosure

glass-fibre reinforced
thermoplastic, self-extinguishing
IP 69K to DIN 40050-9

Degree of protection

Switching system

Contact types

Connection

Cable length

B_{10d} (10% Load)

T_M

MTTF_d

U_e

I_e

Voltage drop at I_{max}

Short-circuit current

Switching frequency

Degree of protection

Ambient temperature

Mechanical life

Repeatability

Switching capacity

S_{ao}

S_{ar}

Reed contacts

2 NC contacts

pre-wired cable 4 x AWG 24

1 m

1.000.000

max. 20 years

> 100 years

max. 30 VDC

max. 157 mA DC

2.5 V

max. 750 mA for 50 ms

max. 5 Hz

II

-20 °C ... +70 °C

> 10 million operations

< 0.5 mm

7 mm

23 mm

* is only achieved in combination
with a safety module

Errors and omissions excepted.