

Magnetic safety sensors

// RC Si 56 10/1S - 5m Order no.: 25600501

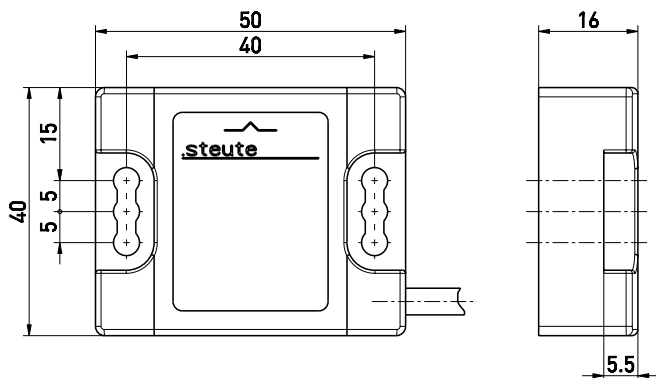
Features/Options

- Thermoplastic enclosure
- Long life
- Reed contacts, coded

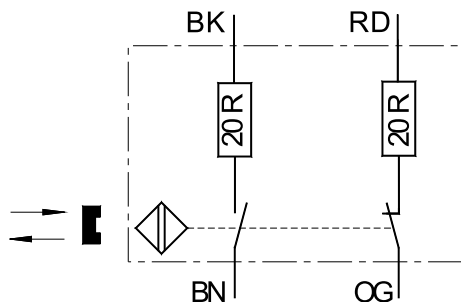
- Actuation from front
- Switching distance up to 6 mm
- With pre-wired cable

Note: The actuator is not included with the switches.

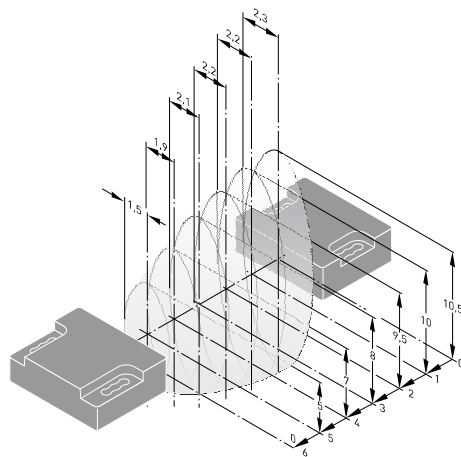
Dimensions



Contact diagram



Axial Misalignment



Technical data

Standards

EN ISO 13849-1;
IEC/EN 60947-5-3/PDF-M*;
EN 954-1; EN 1088

Enclosure

glass-fibre reinforced
thermoplastic, self-extinguishing
IP 67 to IEC/EN 60529

Degree of protection

Reed contacts

Switching system

1 NC/1 NO contact

Contact types

pre-wired cable 4 x AWG 24

Connection

5 m

Cable length

1.000.000

B_{10d} (10% Load)

max. 20 years

T_M

> 100 years

MTTF_d

max. 30 VDC

U_e

max. 157 mA DC

I_e

2.5 V

Voltage drop at I_{max}

max. 750 mA for 50 ms

Short-circuit current

max. 5 Hz

Switching frequency

II

Degree of protection

-20 °C ... +70 °C

Ambient temperature

> 10 million operations

Mechanical life

< 0.5 mm

Repeatability

4 mm

Switching capacity

23 mm

S_{ao}

S_{ar}

* is only achieved in combination
with a safety module

S_{max}

6 mm

Weight

160g

Errors and omissions excepted.