

## Magnetic safety sensors

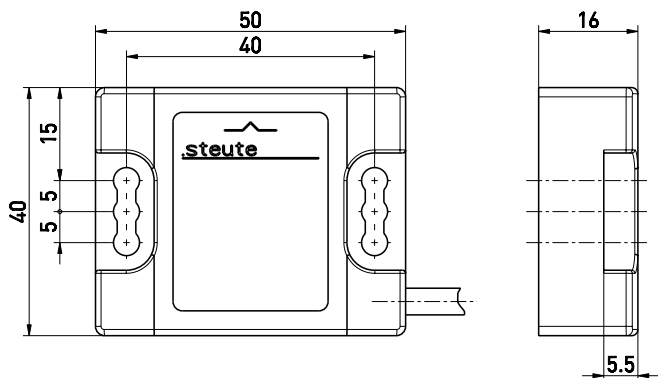
// RC Si 56 1Ö/1S - 1m Order no.: 25600101

### Features/Options

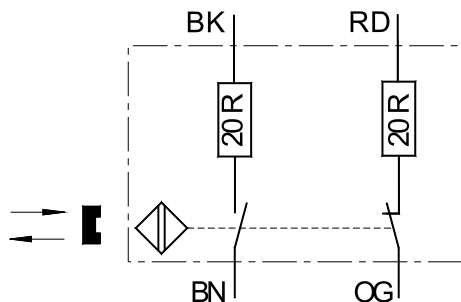
- Thermoplastic enclosure
- Long life
- Reed contacts, coded
- Actuation from front
- Switching distance up to 6 mm
- With pre-wired cable

Note: The actuator is not included with the switches.

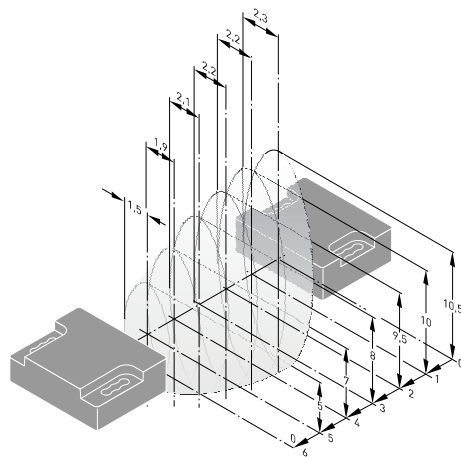
### Dimensions



### Contact diagram



### Axial Misalignment



### Technical data

#### Standards

EN ISO 13849-1;  
IEC/EN 60947-5-3/PDF-M\*;  
EN 954-1; EN 1088

#### Enclosure

glass-fibre reinforced  
thermoplastic, self-extinguishing  
IP 67 to IEC/EN 60529

#### Degree of protection

Reed contacts

#### Switching system

1 NC/1 NO contact

#### Contact types

pre-wired cable 4 x AWG 24

#### Connection

1 m

#### Cable length

1.000.000

#### $B_{10d}$ (10% Load)

max. 20 years

#### $T_M$

> 100 years

#### MTTF<sub>d</sub>

max. 30 VDC

#### $U_e$

max. 157 mA DC

#### $I_e$

2.5 V

#### Voltage drop at $I_{max}$

max. 750 mA for 50 ms

#### Short-circuit current

max. 5 Hz

#### Switching frequency

II

#### Degree of protection

-20 °C ... +70 °C

#### Ambient temperature

> 10 million operations

#### Mechanical life

< 0.5 mm

#### Repeatability

6 mm

#### Switching capacity

4 mm

#### $S_{max}$

23 mm

#### $S_{ao}$

#### $S_{ar}$

\* is only achieved in combination  
with a safety module

#### Weight

60g

Errors and omissions excepted.