

Acoustic Signals **INDUSTRIAL AIR HORNS**

AP Series



SK Series



Acoustic Signals Industrial Air Horns > AP and SK Series

Product overview

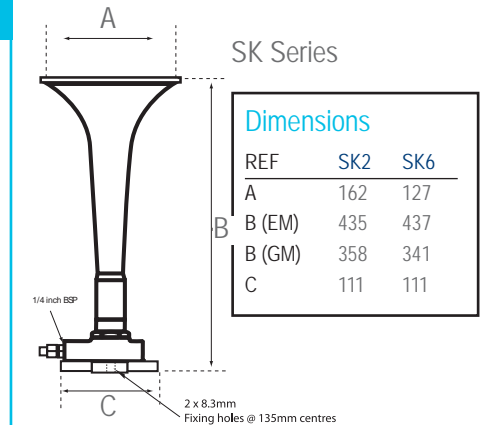
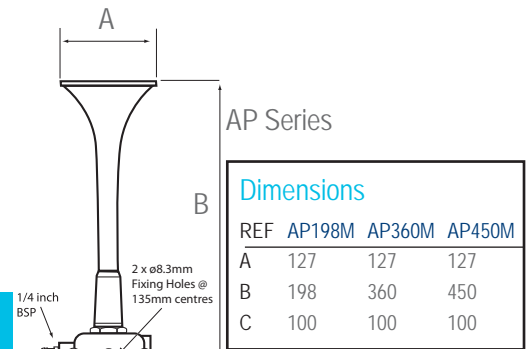
The AP range of air horns are suitable for industrial environments where very high sound and very low frequency outputs are required for signalling over medium to larger size areas.

Operated from a compressed air supply, being non electrical, the units produce the classic 'fog horn' sound.

The SK range of air horns are suitable for marine and very harsh environments where a very high sound and very low frequency outputs are required for signalling over medium to larger size areas.

Operated from a compressed air supply, being non electrical, the units produce the classic 'fog horn' sound.

The SK also offers a mini compressor for locations without a compressed air supply, suitable for SK2 version only.



Features

- Continuously rated
- Robust construction
- Very high sound output
- Very low frequency tone
- Wide operating air pressure
- Suitable for wall or pole mounting
- Dustproof and Weatherproof

Material

AP Series

Aluminium, Brass & Phosphur Bronze

SK Series

Brass/Phosphur bronze

AP and SK Series > Ordering Information

Code No:	Air Pressure:	Air Consumption:	Frequency:	dB:
AP198M	55-140 psi	50-133 L/min	660 Hz	125
AP360M	55-140 psi	50-133 L/min	387 Hz	125
AP450M	55-140 psi	50-133 L/min	307 Hz	125
APSK6-GM •	50-100 psi	50-100 L/min	370 Hz	132
APSK2-GM •	10-30 psi	50-100 L/min	370 Hz	120
APSK2-EM •	10-30 psi	50-100 L/min	315 Hz	134
APSK6-EM •	50-100 psi	50-100 L/min	315 Hz	124

Code No:	Air Pressure:	Voltage:	Current:
• APSK-Compressor	14 psi	24v Dc---	36 A

(49mm o/d, 116mm L, 0.41 kg) To obtain optimum dB performance the airhorn may require fine tuning when used with a compressor.

Kg 0.85 (AP) Average
1.95 (SK) Average

°C -30+70 (AP)

IP 66



APPROVALS and CONFORMITIES

