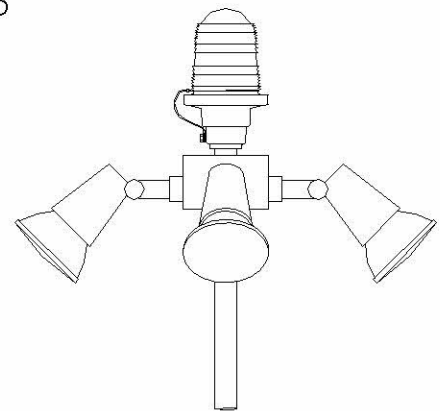
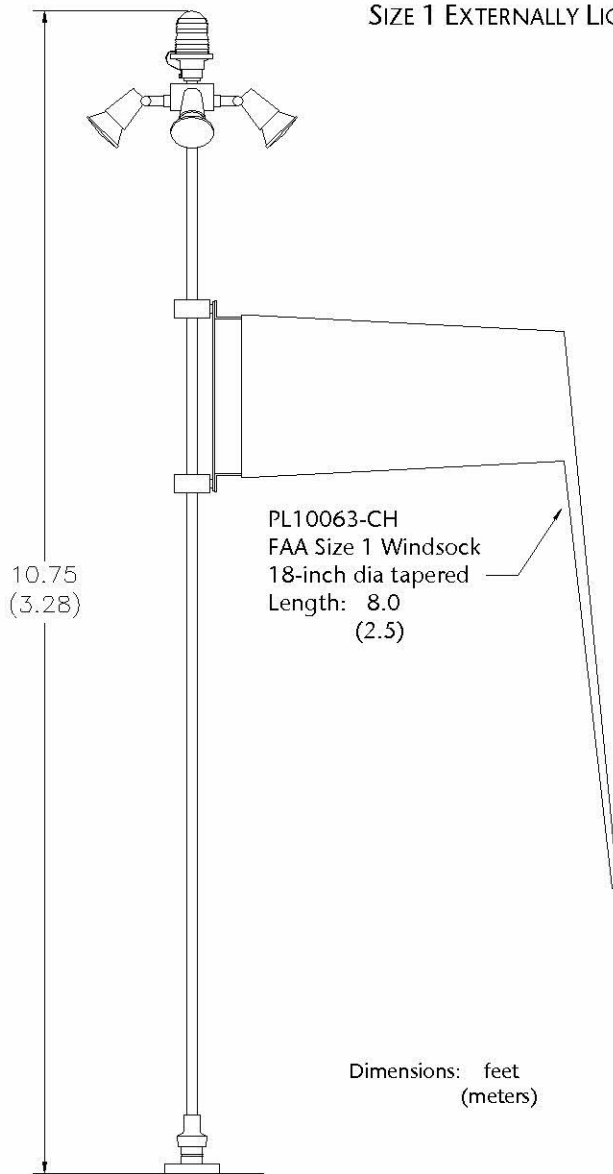




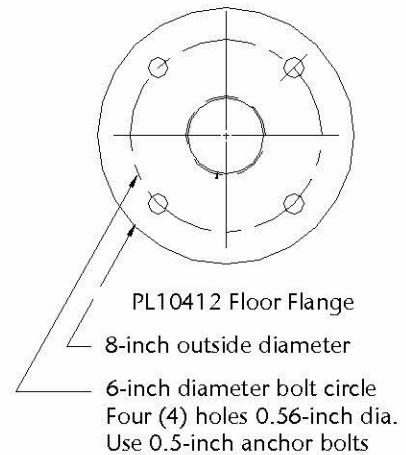
PWC-8061L

SIZE 1 EXTERNALLY LIGHTED



LIGHTING ASSEMBLY
4 FLOODLIGHTS

OPTION: -FF
FLOOR FLANGE



PWC WIND CONE SPECIFICATION GUIDE

POINT WIND CONES PWC TYPE 806 EXTERNALLY LIGHTED

The PWC-8061L-1-ON-FF is FAA L-806 certified. Additional features and other versions may not be addressed or anticipated by the FAA Advisory Circular. Consult FAA AC 150/5345-53B, Appendix 3, Addendum latest revision for a list of independently certified versions. Upon request, Point Lighting will provide technical assistance in determining the proper specification for the site and the application. In all cases, the owner is responsible to make the final decision for equipment selection. See page 2 for 220-240v units.

PWC-8061L-1-ON-FF INCANDESCENT SPECIFICATION 120v

PWC-8061L-1-ON-FF-D-L LED

FAA Type L-806, Size 1: Frangible Pole, 8-ft (2.5m) by 18-in Windsock, Externally Lighted, 120v

The FAA L-806 certified wind cone shall include a primed and painted pole mounted on a 2-inch FAA breakable coupling. For mounting, included is option -FF which is an orange powdercoat painted floor flange as described below. Alternatively, a standard FAA baseplate and light base (order separately) may be used. The overall height shall not exceed 12-ft to enable easy servicing by ladder without lowering. Anchor bolts are by others.

The upper assembly shall use two high quality nylon coated corrosion resistant sealed ball bearings with grease fittings. All hardware shall be stainless steel. The windsock shall mount on a rigid lightweight aluminum frame basket for the first 3-ft (0.9m) to enhance visibility. The international aviation orange nylon windsock shall be reinforced at key points including the end of the basket to resist wear from abrasion and it shall be fitted with two or more brass grommets to prevent water accumulation in the sock. The sock shall attach to the basket simply and securely by means of stainless steel twist-lock marine grade hardware.

The lighting assembly shall include four (4) 120W external floodlights and one top mounted FAA L-810 red 116W obstruction light.

The manufacturer shall include enough 3-wire SO cable with strain relief to extend from the lighting to the base of the pole and connectors as required for field connection of the lights to the cable.

The pole shall include a Point Lighting design sleeve adapter to accept the pole to prevent moment stress and possible failure of the 1-inch threaded connection.

The pole assembly shall be prime painted with a water based stainless steel pigmented paint rated for 30 years life in corrosive atmospheres. The finish coat shall be a water based high gloss acrylic paint in aviation orange color according to Federal Standard 595 color #12197. The manufacturer shall submit technical data on the paints to be used in support of the anti-corrosion specifications. The manufacturer shall furnish one can of the orange paint to be used for touch-up after installation with the remainder turned over to the owner. Optional red-white windsock and red-white painting are available.

OPTION: -FF FLOOR FLANGE MOUNTING

There shall be included an orange powdercoat painted floor flange threaded to accept the breakable coupling. The floor flange shall be 8-inches diameter with four (4) holes equally spaced on a 6-inches diameter bolt circle. Anchor bolts by others. The floor flange shall have a through hole for wiring to enter the pole.

OPTION: -SM STAND MOUNT (recommended for roof installations)

To be used only with option -FF, this option provides a convenient method of installing the 806 wind cone for electrical access.

OPTION: -D LED OBSTRUCTION LIGHT

In place of the standard incandescent single red obstruction light for a voltage powered wind cone, there shall be an FAA L-810 certified light emitting diode (LED) single red obstruction light.

OPTION: -L LED FLOODLIGHTS

In place of the standard incandescent floodlamps, there shall be LED floodlamps.

OPTION: -G RIGID COUPLING (recommended for roof installations)

The frangible coupling shall be replaced with a rigid machined coupling to remove the breakaway feature.

OPTION: -T TETHER (recommended for roof installations)

The bearing assembly shall be secured to the pad with a stainless steel tether to help keep the unit from falling off a roof or blowing away in the event the pole breaks off.

OPTION: -MT MARINE TREATMENT

Recommended for all marine, high salt content air and other corrosive environments and military sites.

PWC-8061L-2-ON-FF INCANDESCENT SPECIFICATION 220-240v

PWC-8061L-2-ON-FF-D-L LED

Type 806, Size 1: Frangible Pole, 8-ft (2.5m) by 18-in Windsack, Externally Lighted, 220-240v

The wind cone shall include a primed and painted pole mounted on a 2-inch FAA breakable coupling. For mounting, included is option -FF which is an orange powdercoat painted floor flange as described below. Alternatively, a standard FAA baseplate and light base (order separately) may be used. The overall height shall not exceed 12-ft to enable easy servicing by ladder without lowering. Anchor bolts are by others.

The upper assembly shall use two high quality nylon coated corrosion resistant sealed ball bearings with grease fittings. All hardware shall be stainless steel. The windsack shall mount on a rigid lightweight aluminum frame basket for the first 3-ft (0.9m) to enhance visibility. The international aviation orange nylon windsack shall be reinforced at key points including the end of the basket to resist wear from abrasion and it shall be fitted with two or more brass grommets to prevent water accumulation in the sock. The sock shall attach to the basket simply and securely by means of stainless steel twist-lock marine grade hardware.

The lighting assembly shall include four (4) 120W external floodlights and one top mounted FAA L-810 red 116W obstruction light.

The manufacturer shall include enough 3-wire SO cable with strain relief to extend from the lighting to the base of the pole and connectors as required for field connection of the lights to the cable.

The pole shall include a Point Lighting design sleeve adapter to accept the pole to prevent moment stress and possible failure of the 1-inch threaded connection.

The pole assembly shall be prime painted with a water based stainless steel pigmented paint rated for 30 years life in corrosive atmospheres. The finish coat shall be a water based high gloss acrylic paint in aviation orange color according to Federal Standard 595 color #12197. The manufacturer shall submit technical data on the paints to be used in support of the anti-corrosion specifications. The manufacturer shall furnish one can of the orange paint to be used for touch-up after installation with the remainder turned over to the owner. Optional red-white windsack and red-white painting are available.

OPTION: -FF FLOOR FLANGE MOUNTING

There shall be included an orange powdercoat painted floor flange threaded to accept the breakable coupling. The floor flange shall be 8-inches diameter with four (4) holes equally spaced on a 6-inches diameter bolt circle. Anchor bolts by others. The floor flange shall have a through hole for wiring to enter the pole.

OPTION: -SM STAND MOUNT (recommended for roof installations)

To be used only with option -FF, this option provides a convenient method of installing the 806 wind cone for electrical access.

OPTION: -D LED OBSTRUCTION LIGHT

In place of the standard incandescent single red obstruction light for a voltage powered wind cone, there shall be an FAA L-810 certified light emitting diode (LED) single red obstruction light.

OPTION: -L LED FLOODLIGHTS

In place of the standard incandescent floodlamps, there shall be LED floodlamps.

OPTION: -G RIGID COUPLING (recommended for roof installations)

The frangible coupling shall be replaced with a rigid machined coupling to remove the breakaway feature.

OPTION: -T TETHER (recommended for roof installations)

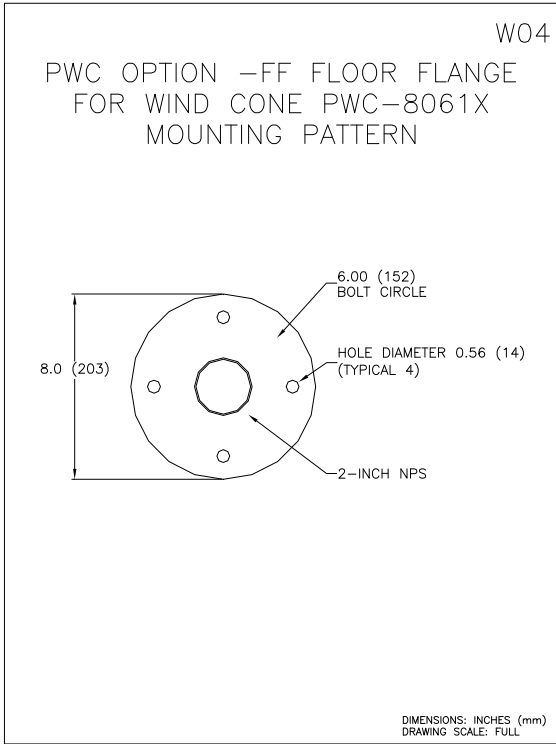
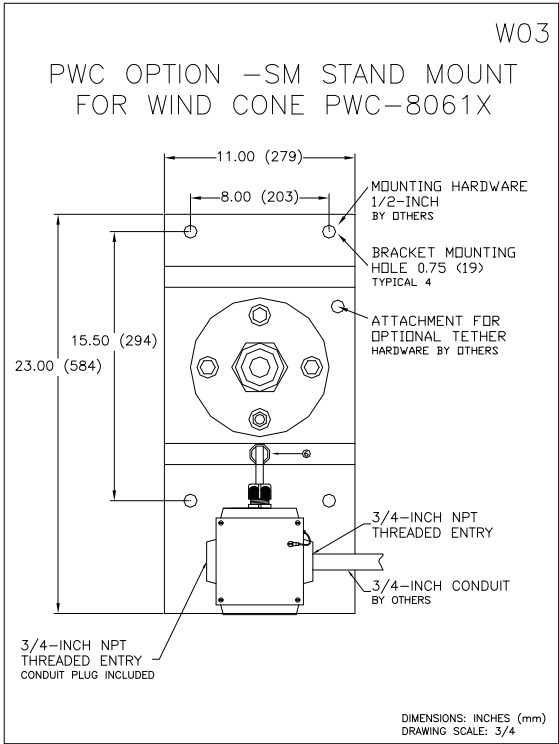
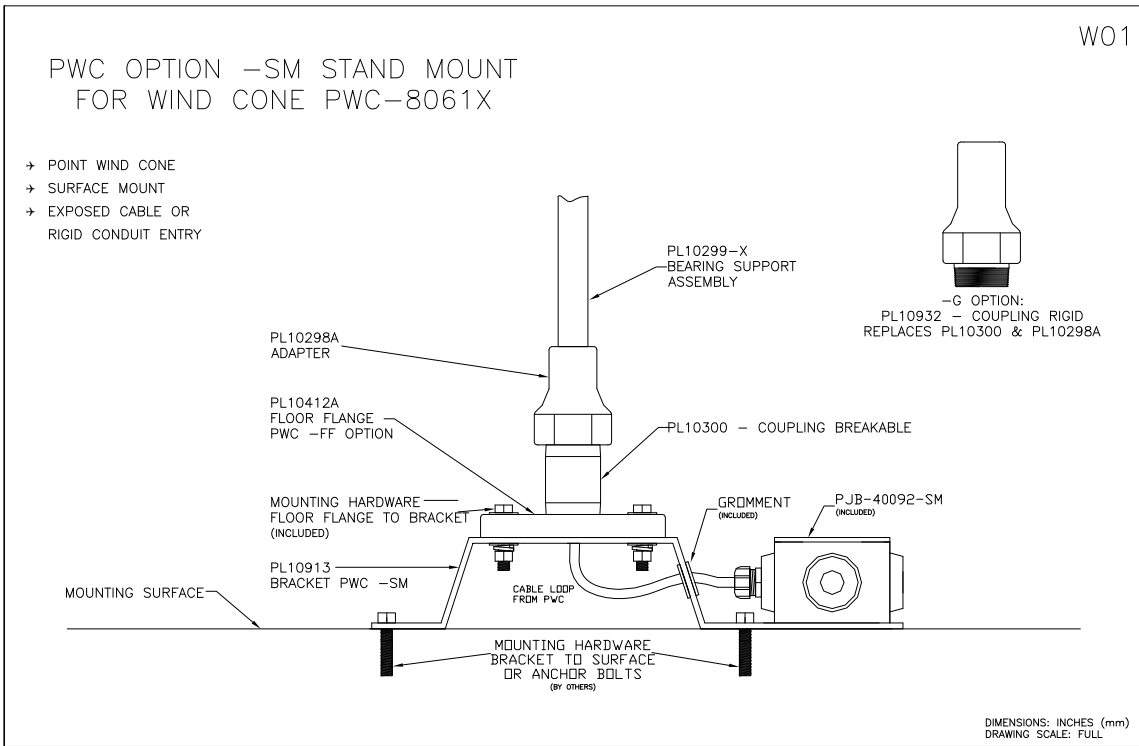
The bearing assembly shall be secured to the pad with a stainless steel tether to help keep the unit from falling off a roof or blowing away in the event the pole breaks off.

OPTION: -MT MARINE TREATMENT

Recommended for all marine, high salt content air and other corrosive environments and military sites.



POINT LIGHTING SPECIFICATION GUIDANCE PRODUCT MOUNTING DETAILS





POINT LIGHTING SPECIFICATION GUIDANCE PRODUCT MOUNTING DETAILS

